



Local Public Agency

County

Section Number

Menard County Highway Department

Menard

22-02114-00-BR

Check this box for lettings prior to 01/01/2024.

The Following Recurring Special Provisions Indicated By An "X" Are Applicable To This Contract And Are Included By Reference:

Recurring Special Provisions

<u>Check Sheet #</u>		<u>Page No.</u>
1	<input type="checkbox"/> Additional State Requirements for Federal-Aid Construction Contracts	59
2	<input type="checkbox"/> Subletting of Contracts (Federal-Aid Contracts)	62
3	<input type="checkbox"/> EEO	63
4	<input type="checkbox"/> Specific EEO Responsibilities Non Federal-Aid Contracts	73
5	<input type="checkbox"/> Required Provisions - State Contracts	78
6	<input type="checkbox"/> Asbestos Bearing Pad Removal	84
7	<input type="checkbox"/> Asbestos Waterproofing Membrane and Asbestos HMA Surface Removal	85
8	<input checked="" type="checkbox"/> Temporary Stream Crossings and In-Stream Work Pads	86
9	<input type="checkbox"/> Construction Layout Stakes	87
10	<input type="checkbox"/> Use of Geotextile Fabric for Railroad Crossing	90
11	<input type="checkbox"/> Subsealing of Concrete Pavements	92
12	<input type="checkbox"/> Hot-Mix Asphalt Surface Correction	96
13	<input type="checkbox"/> Pavement and Shoulder Resurfacing	98
14	<input type="checkbox"/> Patching with Hot-Mix Asphalt Overlay Removal	99
15	<input type="checkbox"/> Polymer Concrete	101
16	<input type="checkbox"/> Reserved	103
17	<input type="checkbox"/> Bicycle Racks	104
18	<input type="checkbox"/> Temporary Portable Bridge Traffic Signals	106
19	<input type="checkbox"/> Nighttime Inspection of Roadway Lighting	108
20	<input type="checkbox"/> English Substitution of Metric Bolts	109
21	<input type="checkbox"/> Calcium Chloride Accelerator for Portland Cement Concrete	110
22	<input checked="" type="checkbox"/> Quality Control of Concrete Mixtures at the Plant	111
23	<input type="checkbox"/> Quality Control/Quality Assurance of Concrete Mixtures	119
24	<input type="checkbox"/> Reserved	135
25	<input type="checkbox"/> Reserved	136
26	<input type="checkbox"/> Temporary Raised Pavement Markers	137
27	<input type="checkbox"/> Restoring Bridge Approach Pavements Using High-Density Foam	138
28	<input type="checkbox"/> Portland Cement Concrete Inlay or Overlay	141
29	<input type="checkbox"/> Portland Cement Concrete Partial Depth Hot-Mix Asphalt Patching	145
30	<input type="checkbox"/> Longitudinal Joint and Crack Patching	148
31	<input type="checkbox"/> Concrete Mix Design - Department Provided	150
32	<input type="checkbox"/> Station Numbers in Pavements or Overlays	151

Local Public Agency

County

Section Number

Menard County Highway Department

Menard

22-02114-00-BR

The Following Local Roads And Streets Recurring Special Provisions Indicated By An "X" Are Applicable To This Contract And Are Included By Reference:

Local Roads And Streets Recurring Special Provisions

<u>Check Sheet #</u>		<u>Page No.</u>
LRS 1	Reserved	153
LRS 2	<input type="checkbox"/> Furnished Excavation	154
LRS 3	<input checked="" type="checkbox"/> Work Zone Traffic Control Surveillance	155
LRS 4	<input type="checkbox"/> Flaggers in Work Zones	156
LRS 5	<input checked="" type="checkbox"/> Contract Claims	157
LRS 6	<input checked="" type="checkbox"/> Bidding Requirements and Conditions for Contract Proposals	158
LRS 7	<input type="checkbox"/> Bidding Requirements and Conditions for Material Proposals	164
LRS 8	Reserved	170
LRS 9	<input type="checkbox"/> Bituminous Surface Treatments	171
LRS 10	Reserved	175
LRS 11	<input type="checkbox"/> Employment Practices	176
LRS 12	<input type="checkbox"/> Wages of Employees on Public Works	178
LRS 13	<input checked="" type="checkbox"/> Selection of Labor	180
LRS 14	<input type="checkbox"/> Paving Brick and Concrete Paver Pavements and Sidewalks	181
LRS 15	<input checked="" type="checkbox"/> Partial Payments	184
LRS 16	<input type="checkbox"/> Protests on Local Lettings	185
LRS 17	<input checked="" type="checkbox"/> Substance Abuse Prevention Program	186
LRS 18	<input type="checkbox"/> Multigrade Cold Mix Asphalt	187
LRS 19	<input type="checkbox"/> Reflective Crack Control Treatment	188



Local Public Agency
Formal Contract Proposal



COVER SHEET

Proposal Submitted By:
 Contractor's Name
 Contractor's Address City State Zip Code

STATE OF ILLINOIS
 Local Public Agency County Section Number
 Road District No. 2 Menard 22-02114-00-BR
 Route(s) (Street/Road Name) Type of Funds
 T.R. 164 TBP

Proposal Only Proposal and Plans Proposal only, plans are separate

Submitted/Approved
For Local Public Agency:

For a County and Road District Project

Submitted/Approved

Highway Commissioner Signature Date
 Coady Z Bell 2-26-24

Submitted/Approved

County Engineer/Superintendent of Highways Date
 [Signature] 2/26/2024

For a Municipal Project

Submitted/Approved/Passed

Signature Date
 Official Title

Department of Transportation

Released for bid based on limited review

Regional Engineer Signature Date
 [Signature] 3/10/24

Note: All proposal documents, including Proposal Guaranty Checks or Proposal Bid Bonds, should be stapled together to prevent loss when bids are processed.

Local Public Agency	County	Section Number	Route(s) (Street/Road Name)
Road District No. 2	Menard	22-02114-00-BR	T.R. 164

NOTICE TO BIDDERS

Sealed proposals for the project described below will be received at the office of Menard County Highway Department
Name of Office
16620 Chautauqua Road, Petersburg, Illinois 62675 until 10:00 AM on 8/6/2024
Address Time Date

Sealed proposals will be opened and read publicly at the office of Menard County Highway Department
Name of Office
16620 Chautauqua Road, Petersburg, Illinois 62675 at 10:00 AM on 8/6/2024
Address Time Date

DESCRIPTION OF WORK

Location	Project Length
Sta. 3+70 to Sta. 7+00	550 Feet

Proposed Improvement
 Construction of a new single span PPC Deck Beam Bridge, 48'-0" Back to Back abutments, riprap placement, approach roadway reconstruction and other incidental items of work.

1. Plans and proposal forms will be available in the office of
Menard County Highway Department
15620 Chautauqua Road,
Petersburg, Illinois 62675

2. Prequalification
 If checked, the 2 apparent as read low bidders must file within 24 hours after the letting an "Affidavit of Availability" (Form BC 57) in triplicate, showing all uncompleted contracts awarded to them and all low bids pending award for Federal, State, County, Municipal and private work. One original shall be filed with the Awarding Authority and two originals with the IDOT District Office.
3. The Awarding Authority reserves the right to waive technicalities and to reject any or all proposals as provided in BLRS Special Provision for Bidding Requirements and Conditions for Contract Proposals.
4. The following BLR Forms shall be returned by the bidder to the Awarding Authority:
 - a. Local Public Agency Formal Contract Proposal (BLR 12200)
 - b. Schedule of Prices (BLR 12201)
 - c. Proposal Bid Bond (BLR 12230) (if applicable)
 - d. Apprenticeship or Training Program Certification (BLR 12325) (do not use for project with Federal funds.)
 - e. Affidavit of Illinois Business Office (BLR 12326) (do not use for project with Federal funds)
5. The quantities appearing in the bid schedule are approximate and are prepared for the comparison of bids. Payment to the Contractor will be made only for the actual quantities of work performed and accepted or materials furnished according to the contract. The scheduled quantities of work to be done and materials to be furnished may be increased, decreased or omitted as hereinafter provided.
6. Submission of a bid shall be conclusive assurance and warranty the bidder has examined the plans and understands all requirements for the performance of work. The bidder will be responsible for all errors in the proposal resulting from failure or neglect to conduct an in depth examination. The Awarding Authority will, in no case, be responsible for any costs, expenses, losses or changes in anticipated profits resulting from such failure or neglect of the bidder.
7. The bidder shall take no advantage of any error or omission in the proposal and advertised contract.
8. If a special envelope is supplied by the Awarding Authority, each proposal should be submitted in that envelope furnished by the Awarding Agency and the blank spaces on the envelope shall be filled in correctly to clearly indicate its contents. When an envelope other than the special one furnished by the Awarding Authority is used, it shall be marked to clearly indicate its contents. When sent by mail, the sealed proposal shall be addressed to the Awarding Authority at the address and in care of the official in whose office the bids are to be received. All proposals shall be filed prior to the time and at the place specified in the Notice to Bidders. Proposals received after the time specified will be returned to the bidder unopened.
9. Permission will be given to a bidder to withdraw a proposal if the bidder makes the request in writing or in person before the time for opening proposals.

Local Public Agency	County	Section Number	Route(s) (Street/Road Name)
Road District No. 2	Menard	22-02114-00-BR	T.R. 164

PROPOSAL

1. Proposal of _____ Contractor's Name _____

Contractor's Address _____

2. The plans for the proposed work are those prepared by Veenstra & Kimm, Inc., 2417 W. White Oaks Drive, Spfld., IL. and approved by the Department of Transportation on _____.

3. The specifications referred to herein are those prepared by the Department of Transportation and designated as "Standard Specifications for Road and Bridge Construction" and the " Supplemental Specifications and Recurring Special Provisions" thereto, adopted and in effect on the date of invitation for bids.

4. The undersigned agrees to accept, as part of the contract, the applicable Special Provisions indicated on the "Check Sheet for Recurring Special Provisions" contained in this proposal.

5. The undersigned agrees to complete the work within 35 working days or by _____ unless additional time is granted in accordance with the specifications.

6. The successful bidder at the time of execution of the contract will _____ be required to deposit a contract bond for the full amount of the award. When a contract bond is not required, the proposal guaranty check will be held in lieu thereof. If this proposal is accepted and the undersigned fails to execute a contract and contract bond as required, it is hereby agreed that the Bid Bond of check shall be forfeited to the Awarding Authority.

7. Each pay item should have a unit price and a total price. If no total price is shown or if there is a discrepancy between the products of the unit price multiplied by the quantity, the unit price shall govern. If a unit price is omitted, the total price will be divided by the quantity in order to establish a unit price. A bid may be declared unacceptable if neither a unit price nor a total price is shown.

8. The undersigned submits herewith the schedule of prices on BLR 12201 covering the work to be performed under this contract.

9. The undersigned further agrees that if awarded the contract for the sections contained in the combinations on BLR 12201, the work shall be in accordance with the requirements of each individual proposal for the multiple bid specified in the Schedule for Multiple Bids below.

10. A proposal guaranty in the proper amount, as specified in BLRS Special Provision for Bidding Requirements and Conditions for Contract Proposals, will be required. Bid Bonds will _____ be allowed as a proposal guaranty. Accompanying this proposal is either a bid bond, if allowed, on Department form BLR 12230 or a proposal guaranty check, complying with the specifications, made payable to: _____ County Treasurer of Menard County _____.

The amount of the check is _____ (_____).

Attach Cashier's Check or Certified Check Here

In the event that one proposal guaranty check is intended to cover two or more bid proposals, the amount must be equal to the sum of the proposal guaranties which would be required for each individual bid proposal. If the proposal guaranty check is placed in another bid proposal, state below where it may be found.

The proposal guaranty check will be found in the bid proposal for: Section Number 22-02114-00-BR _____.

Local Public Agency	County	Section Number	Route(s) (Street/Road Name)
Road District No. 2	Menard	22-02114-00-BR	T.R. 164

CONTRACTOR CERTIFICATIONS

The certifications hereinafter made by the bidder are each a material representation of fact upon which reliance is placed should the Department enter into the contract with the bidder.

1. **Debt Delinquency.** The bidder or contractor or subcontractor, respectively, certifies that it is not delinquent in the payment of any tax administered by the Department of Revenue unless the individual or other entity is contesting, in accordance with the procedure established by the appropriate Revenue Act, its liability for the tax or the amount of the tax. Making a false statement voids the contract and allows the Department to recover all amounts paid to the individual or entity under the contract in a civil action.
2. **Bid-Rigging or Bid Rotating.** The bidder or contractor or subcontractor, respectively, certifies that it is not barred from contracting with the Department by reason of a violation of either 720 ILCS 5/33E-3 or 720 ILCS 5/33E-4.

A violation of section 33E-3 would be represented by a conviction of the crime of bid-rigging which, in addition to Class 3 felony sentencing, provides that any person convicted of this offense, or any similar offense of any state or the United States which contains the same elements as this offense shall be barred for 5 years from the date of conviction from contracting with any unit of State or local government. No corporation shall be barred from contracting with any unit of State or local government as a result of a conviction under this Section of any employee or agent of such corporation if the employee so convicted is no longer employed by the corporation: (1) it has been finally adjudicated not guilty or (2) if it demonstrates to the governmental entity with which it seeks to contract that entity finds that the commission of the offense was neither authorized, requested, commanded, nor performed by a director, officer or a high managerial agent on behalf of the corporation.

A violation of Section 33E-4 would be represented by a conviction of the crime of bid-rotating which, in addition to Class 2 felony sentencing, provides that any person convicted of this offense or any similar offense of any state or the United States which contains the same elements as this offense shall be permanently barred from contracting with any unit of State of Local government. No corporation shall be barred from contracting with any unit of State or Local government as a result of a conviction under this Section of any employee or agent of such corporation if the employee so convicted is no longer employed by the corporation and: (1) it has been finally adjudicated not guilty or (2) if it demonstrates to the governmental entity with which it seeks to contract and that entity finds that the commission of the offense was neither authorized, requested, commanded, nor performed by a director, officer or a high managerial agent on behalf of the corporation.

3. **Bribery.** The bidder or contractor or subcontractor, respectively, certifies that, it has not been convicted of bribery or attempting to bribe an officer or employee of the State of Illinois or any unit of local government, nor has the firm made an admission of guilt of such conduct which is a matter or record, nor has an official, agent, or employee of the firm committed bribery or attempted bribery on behalf of the firm and pursuant to the direction or authorization of a responsible official of the firm.
4. **Interim Suspension or Suspension.** The bidder or contractor or subcontractor, respectively, certifies that it is not currently under a suspension as defined in Subpart I of Title 44 Subtitle A Chapter III Part 6 of the Illinois Administrative code. Furthermore, if suspended prior to completion of this work, the contract or contracts executed for the completion of this work may be canceled.

Local Public Agency	County	Section Number	Route(s) (Street/Road Name)
Road District No. 2	Menard	22-02114-00-BR	T.R. 164

SIGNATURES

(If an individual)

Signature of Bidder	Date	
<input type="text"/>	<input type="text"/>	
Business Address		
<input type="text"/>		
City	State	Zip Code
<input type="text"/>	<input type="text"/>	<input type="text"/>

(If a partnership)

Firm Name		
<input type="text"/>		
Signature	Date	
<input type="text"/>	<input type="text"/>	
Title		
<input type="text"/>		
Business Address		
<input type="text"/>		
City	State	Zip Code
<input type="text"/>	<input type="text"/>	<input type="text"/>

Insert the Names and Addresses of all Partners

<input type="text"/>

(If a corporation)

Corporate Name		
<input type="text"/>		
Signature	Date	
<input type="text"/>	<input type="text"/>	
Title		
<input type="text"/>		
Business Address		
<input type="text"/>		
City	State	Zip Code
<input type="text"/>	<input type="text"/>	<input type="text"/>

Insert Names of Officers

President
<input type="text"/>

Attest:

Secretary

Secretary

Treasurer



Contractor's Name

Contractor's Address

City

State

Zip Code

Local Public Agency

County

Section Number

Route(s) (Street/Road Name)

Schedule for Multiple Bids

Combination Letter	Section Included in Combinations	Total

Schedule for Single Bid

(For complete information covering these items, see plans and specifications.)

Item Number	Items	Unit	Quantity	Unit Price	Total
20200100	Earth Excavation	Cu. Yd.	281		
20300100	Channel Excavation	Cu. Yd.	118		
20400800	Furnished Excavation	Cu. Yd.	387		
28000305	Temporary Ditch Checks	Foot	56		
28100107	Stone Riprap, Class A4	Ton	260		
28200200	Filter Fabric	Sq. Yd.	367		
28300400	Aggregate Ditch	Ton	107		
40200100	Aggregate Surf. Course, Type A	Ton	919		
50100100	Removal of Existing Structures	Each	1		
50200100	Structure Excavation	Each	63		
50300225	Concrete Structures	Cu. Yd.	25.3		
50400405	PPC Deck Beams (21" Depth)	Sq. Ft.	1307		
50800105	Reinforcement Bars	Pound	3050		
50900205	Steel Railing, Type S1	Foot	96		
51200957	Furnishing Metal Shell 12"x0.25"	Foot	280		
51202305	Driving Piles	Foot	280		
51203200	Test Pile Metal Shells	Each	2		
51500100	Name Plates	Each	1		
59300100	Controlled Low Strngth Material	Cu. Yd.	45		
63100075	Traffic Barrier Terminal, Ty 5A	Each	2		

Local Public Agency	County	Section Number	Route(s) (Street/Road Name)
Road District No. 2	Menard	22-02114-00-BR	T.R. 164

Item Number	Items	Unit	Quantity	Unit Price	Total
67100100	Mobilization	L. Sum	1		
72501000	Terminal Marker-Direct Applied	Each	2		
LR631020	Traffic Barrier Terminal Type 1	Each	2		
X2501000	Seeding, Class 2 (Special)	Acre	0.5		
Bidder's Total Proposal					

1. Each pay item should have a unit price and a total price.
2. If no total price is shown or if there is a discrepancy between the product of the unit price multiplied by the quantity, the unit price shall govern.
3. If a unit price is omitted, the total price will be divided by the quantity in order to establish a unit price.
4. A bid may be declared unacceptable if neither a unit price or total price is shown.

T.R. 164 OVER GROVE CREEK
SECTIONS 22-02114-00-BR
MENARD COUNTY

STATE OF ILLINOIS

SPECIAL PROVISIONS

INDEX OF SPECIAL PROVISIONS

DESCRIPTION OF WORK -----	PAGE 2
SHOP DRAWINGS -----	PAGE 2
CORPS OF ENGINEER'S PERMIT -----	PAGE 2
TRAFFIC CONTROL PLAN -----	PAGE 2-3
REMOVAL OF UNCLASSIFIED MATERIAL -----	PAGE 3-4
JOINT UTILITY LOCATION INFORMATION FOR EXCAVATORS -----	PAGE 4
SEEDING CLASS 2 (SPECIAL) -----	PAGE 4
AGGREGATE DITCH -----	PAGE 4-5
SALVAGE -----	PAGE 5
UTILITY COORDINATION -----	PAGE 5
STATUS OF UTILITIES TO BE ADJUSTED WORKSHEET -----	PAGE 6
CORPS OF ENGINEER'S PERMIT -----	PAGE 7-9
LR 107-4 -----	PAGE 10
LR 109-3 -----	PAGE 11
LR 702 -----	PAGE 13

T.R. 164 OVER GROVE CREEK
SECTIONS 22-02114-00-BR
MENARD COUNTY

STATE OF ILLINOIS

SPECIAL PROVISIONS

The following Special Provisions supplement the “Standard Specifications for Road and Bridge Construction”, Adopted January 1, 2022, the latest edition of the “Manual on Uniform Traffic Control Devices for Streets and Highways”, and the “Manual of Test Procedures for Materials” in effect on the date of invitation for bids, and the Supplemental Specifications and Recurring Special Provisions indicated on the Check Sheet included herein, which apply to and govern the construction of T.R. 164 over Grove Creek, Sections 22-02114-00-BR, in Menard County, and in case of conflict with any part, or parts, of said Specifications, the said Special Provisions shall take precedence and shall govern.

DESCRIPTION OF WORK: The proposed work consists of the removal of an existing deficient cast in place concrete structure ($\pm 28'-0''$ length) and the construction of a new precast prestressed concrete deck beam structure that is $48'-0''$ long, $28'-0''$ clear deck width and is not skewed. The contract also includes the placement of aggregate base course, earthwork, and other incidental items of work necessary to complete the project under road closure. The net project length is 550.00 feet (0.104 miles).

SHOP DRAWINGS: The Contractor shall submit shop drawings to Veenstra & Kimm Inc., 2417 West White Oaks Drive, Springfield, Illinois 62704, phone 217-544-8033, for review and approval prior to the fabrication of the precast prestressed concrete deck beams.

CORPS OF ENGINEERS' SECTION 404 PERMIT: This project complies with the current Federal Register regarding the regulatory program of the Corps of Engineers Nationwide Permit No. 14 because it involves the loss of less than 1/10 acre of waters. If the contractor elects to construct a temporary stream crossing or working platform in the stream, and the Contractor's temporary construction consists of the deposition of fill material below the plane of ordinary high-water over an area in plan of less than 1/2 acre no individual Section 404 Permit will be required. If the Contractor intends to exceed these limits, or other criteria of the above-mentioned register, it shall be the responsibility of the contractor to apply for and receive the Section 404 Permit. The County Engineer shall be notified according to General Condition 13 if the discharge from the Contractor's temporary construction causes the loss of greater than 1/10 acre of waters per the attached Nationwide Permit Summary. The contractor shall also be responsible for the prevention of public access to any temporary crossing s/he may construct.

TRAFFIC CONTROL PLAN: Traffic control shall be in accordance with the applicable sections of the Standard Specifications for Road and Bridge Construction, the applicable guidelines contained in the Illinois Manual on Uniform Traffic Control Devices for Streets and Highways, these Special Provisions, and any special details and Highway Standards contained herein and in the plans.

Special attention is called to 107.09 and 107.14 and Section 701 of the Standard Specifications for Road and Bridge Construction and Standards 701901 and BLR 21 shall apply along with the following Special Provisions.

T.R. 164 OVER GROVE CREEK
SECTIONS 22-02114-00-BR
MENARD COUNTY

STATE OF ILLINOIS

SPECIAL PROVISIONS

Limitations of Construction: The Contractor shall coordinate the items of work in order to keep hazards and traffic inconveniences to a minimum, as specified below.

The road shall be closed to traffic for the removal of the existing structure and the placement of embankment and aggregate. Road closure shall be according to Standard BLR 21.

1. The Contractor shall provide, erect, and maintain all the necessary signs, barricades, cones, drums, and lights for the warning and protection of traffic in this section and all side roads, as required by Sections 107 and 701 of the Standard Specifications, and as shown on the plans. The Contractor will always be responsible for the traffic devices during construction activities and throughout any shutdown periods.
2. All emergency services including postal services shall be notified three weeks prior to the closing of any portion of T.R. 164. Access to mailboxes during construction shall be coordinated with landowners, contractor, and postal service.
3. All debris shall be removed from the pavement and shoulders prior to removal of traffic control.
4. All advance-warning signs shall be in new or like new condition at the start of the project. All warning signs shall be 48 inches by 48 inches and have a black legend on a fluorescent orange reflectorized background.

Suitable Access: All commercial, private, and field entrances along the mainline, which are part of this improvement, shall have suitable access, as determined by the Engineer, always during construction of this project. Coordination with the landowners will be the responsibility of the Contractor.

Parking of construction equipment and personal vehicles within the right-of-way will be permitted only at locations approved by the Engineer and never overnight on any open roadway.

Detour Signing: Since construction operations for this project result in road closure, advance warning signs, post mounted, shall be provided as shown in the plans.

Measurement and Payment for Traffic Control and Protection: The cost of all Traffic Control and Protection for this project, as directed by this special provision or by the Engineer, and not provided for by other pay items within the contract will be paid for at the contract Lump Sum price for TRAFFIC CONTROL AND PROTECTION, STANDARD BLR 21.

REMOVAL OF UNCLASSIFIED MATERIAL: Any unclassified material, including pipe headwalls, existing pavement and broken concrete encountered on this project shall be removed as designated by the Engineer. The removed material shall be disposed of beyond the limits of

T.R. 164 OVER GROVE CREEK
SECTIONS 22-02114-00-BR
MENARD COUNTY

STATE OF ILLINOIS

SPECIAL PROVISIONS

the right of way in accordance with Article 202.03 of the Standard Specifications, and as directed by the Engineer.

The above work will not be paid for separately but shall be considered as included in the contract unit price per cubic yard for EARTH EXCAVATION.

JOINT UTILITY LOCATION INFORMATION FOR EXCAVATORS (JULIE): This work shall be done in accordance with Article 107.39 of the Standard Specifications except as herein modified.

Location of proposed signposts, guardrail, sign, or light, etc. shall be staked and then notice given to utilities prior to beginning any excavation.

If any of the location markers placed by a utility company in conformance with this procedure are destroyed by Contractor operations, the Contractor shall immediately notify the utility owner and bear the cost of remarking the facilities at his own cost and expense. Compliance with this Special Provision shall be considered incidental to the contract and no additional compensation will be allowed for any costs incurred.

SEEDING, CLASS 2 (SPECIAL): This item consists of preparing seed bed and furnishing, transporting, and placing the seed and other materials required in the seeding operations in accordance with Section 250 of the Standard Specifications, except as follows:

The contractor shall use the rates shown on the plans. Mulch shall be applied in accordance with Method 2, Procedure 1 or 2 of Article 251.03 of the Standard Specifications and the provisions contained herein.

The Engineer will have the option of determining the applied rates of Fertilizer and Agricultural Lime, depending upon the availability of material and the actual soil conditions on the job site. (See plans for estimated rates.)

No seeding dates will apply to this project. No seeding shall be done when the ground is frozen, muddy or excessively wet.

The contractor shall rework all disturbed areas prior to permanent seeding.

The cost of performing all this work will be paid for at the contract unit price per acre for SEEDING, CLASS 2 (SPECIAL) which price shall include the seeding, fertilizer nutrients, mulching, and all necessary incidental work as directed by the Engineer.

AGGREGATE DITCH: Riprap shall be placed in such a manner as to provide a reasonable consistent 12-inch-thick layer conforming to the finished slope lines as shown in the plans and as directed by the Engineer in accordance with Section 283 of the Standard Specifications. The riprap material shall meet the requirements of Article 1005.01 of the Standard Specifications, the

T.R. 164 OVER GROVE CREEK
SECTIONS 22-02114-00-BR
MENARD COUNTY

STATE OF ILLINOIS

SPECIAL PROVISIONS

quality shall be Class 'A' and the gradation shall be RR3 or a gradation approved by the Engineer. The slope shall be excavated an additional 12 inches in depth and no bedding material will be required.

The cost of performing this work will be paid for at the contract unit price per ton for AGGREGATE DITCH which price shall include the additional earth excavation and for the placement of the riprap and filter fabric.

REMOVAL OF EXISTING STRUCTURES: This item shall consist of the complete removal of the existing single span precast concrete bridge with closed timber abutments, wingwalls and piling in accordance with Section 501 of the Standard Specifications. All portions of the existing timber abutments, wingwalls and piling that interfere with the placement of the proposed structure shall be removed in such amounts as to facilitate placement of the proposed structure. All segments of the existing abutments that do not interfere with the placement of the new structure shall be removed to a point where a minimum earth cover of 3 feet is provided. The cover shall be measured from the finished grade line.

The cost of all work included in this Special Provision shall be included in the contract unit price each for REMOVAL OF EXISTING STRUCTURES.

SALVAGE: The cut-off portions of all piles, including test piles, the existing bridge rail, and the existing steel pile repair members shall become property of Menard County. The Contractor shall store all these materials within the right-of-way for subsequent removal by county forces.

UTILITY COORDINATION: During the construction of this project the contractor will have to coordinate his operations with utilities that are to be relocated including gas, electric and telecommunications. All utilities have been contacted and are aware of the areas where relocation is necessary. Some excavation tasks will have to be completed before relocation will be possible. When construction begins the utilities shall be notified of when these tasks will be completed so they may schedule their work without interfering with the completion of the project.

T.R. 164 OVER GROVE CREEK
SECTIONS 22-02114-00-BR
MENARD COUNTY

STATE OF ILLINOIS

SPECIAL PROVISIONS

City 3 miles S.E. of Greenview

Section 22-02114-00-BR

STATUS OF UTILITIES TO BE ADJUSTED

Name and Address of Utility Relocation	Type	Location	Estimated Date Completed
Frontier Communications 225 North Broad Street Carlinville, Illinois 62626 217-318-0456	Telephone	Sta. 3+50 to Sta. 9+00	During Construction
Menard Electric Cooperative P.O. Box 200 Petersburg, Illinois 62565 217-632-7746 Contact: Brady Smith	Electric	Sta. 3+50 to Sta. 9+00	During Construction
Ameren Illinois 1900 W. Lafayette Jacksonville, Illinois 62650 217-479-5203 (O) 217-714-7258 (C) Contact: Mr. Douglas Palmer	Electric	Sta. 3+50 to Sta. 9+00	During Construction

The above represents the best information of the Department and is only included for the convenience of the bidder. The applicable provisions of Articles 105.07 and 107.20 of the Standard Specifications for Road and Bridge construction shall apply.

If any utility adjustment or removal has not been completed when required by the contractor's operations, the contractor should notify the Engineer in writing. A request for an extension of time will be considered to the extent the contractor's operations were affected.



REPLY TO
ATTENTION OF

DEPARTMENT OF THE ARMY
CORPS OF ENGINEERS, ROCK ISLAND DISTRICT
PO BOX 2004 CLOCK TOWER BUILDING
ROCK ISLAND, ILLINOIS 61204-2004

June 2, 2022

Regulatory Division

SUBJECT: CEMVR-RD-2022-0607

Mr. Corey Dowd
Menard County Highway Department
15620 Chautauqua Road
Petersburg, Illinois 62675

Dear Mr. Dowd:

Our office has reviewed your application received April 26, 2022, concerning the proposed replacement of the 28'-0" single span poured concrete deck beam bridge with a new single span precast prestressed concrete deck beam bridge on T.R. 164 over Grove Creek in Section 4, Township 18 North, Range 5 West, Menard County, Illinois. This project involves the removal and replacement of the existing single span bridge with a new single span bridge that will go in the footprint of previous bridge but will involve minor earthwork with streambank protection added underneath the new structure within the right of way to prevent the potential for future erosion. Permeant stream bed loss impact will total less than .027 acres to Grove Creek.

Your bridge construction project is authorized under Nationwide Permit No.14, provided you meet the Nationwide Permit terms and conditions which are contained in the enclosed Fact Sheet No. 9(IL) including the Illinois Regional Conditions which are also included in the Fact Sheet, and any special conditions that have been included in this nationwide permit verification letter. The Corps has made a determination of no effect on federally threatened and endangered species or critical habitat. The decision regarding this action is based on information found in the administrative record, which documents the District's decision-making process, the basis for the decision, and the final decision.

Please contact our office if the project plans change and there are different impacts caused by dredged or fill material into Corps' regulated waters. This may require modification of your Department of the Army 404 authorization.

This verification is valid until March 14, 2026, unless the nationwide permit is modified, reissued, or revoked. It is your responsibility to remain informed of changes to the nationwide permit program. We will issue a public notice announcing any changes if and when they occur. Furthermore, if you commence or are under contract to commence this activity before the date the nationwide permit is modified or revoked, you will have twelve months from this date to complete your activity under the present terms and conditions of this nationwide permit.

This authorization does not eliminate the requirement that you must still obtain other applicable Federal, state, and local permits. If you have not already coordinated your project with the ILDNR, please contact them by telephone 217/782-6302 to determine if a floodplain development permit is required for your project. You may contact the IEPA Facility Evaluation Unit at 217/782-3397 to determine whether additional authorizations are required from the IEPA. Please send any electronic correspondence to EPA.401.bow@illinois.gov.

You are required to complete and return the enclosed "Completed Work Certification" form upon completion of your project in accordance with General Condition No. 30 of the nationwide permits.

Should you have any questions, please contact our Regulatory Division by letter, telephone 309/794-5213, or email william.p.ruth@usace.army.mil.

Sincerely,

Wendy M Frohlich
Acting Chief, Eastern Branch
Regulatory Division

When the structure(s) or work authorized by this nationwide permit are still in existence at the time the property is transferred, the terms and conditions of this nationwide permit, including any special conditions, will continue to be binding on the new owner(s), of the property. To validate the transfer of this nationwide permit and the liabilities associated with compliance with its terms and conditions, have the transferee sign and date below.

Transferee

Date

Copies Furnished:

w/o enclosures:

Mr. William Milner, P.E.
Section Chief - Downstate Regulatory Programs
Illinois Department of Natural Resources
Office of Water Resources
1 Natural Resources Way
Springfield, Illinois 62702
bill.milner@illinois.gov

Mr. Darin LeCrone, P.E.
Manager, Permit Section, 15
Division of Water Pollution Control
Illinois Environmental Protection Agency
1021 North Grand Avenue East
P.O. Box 19276
Springfield, Illinois 62794-9276
darin.lecrone@Illinois.gov

Mr. Christopher Kohlrus
Veenstra & Kimm, Inc.
2417 West White Oaks Drive
Springfield, Illinois 62704
ckohlrus@v-k.net

COMPLETED WORK CERTIFICATION

Permit Number: CEMVR-RD-2022-0607

Name of Permittee: Mr. Corey Dowd, Menard County Highway Department.

County/State: Menard / Illinois

Date of Issuance: June 2, 2022

Upon completion of the activity authorized by this permit and any mitigation required by the permit, sign this certification and return it to the following address:

U.S. Army Engineer District, Rock Island
ATTN: Regulatory Division
Clock Tower Building
Post Office Box 2004
Rock Island, Illinois 61204-2004

Please note that your permitted activity is subject to a compliance inspection by a U.S. Army Corps of Engineers representative. If you fail to comply with this permit, you are subject to permit suspension, modification, or revocation.

I hereby certify that the work authorized by the above reference permit has been completed in accordance with the terms and conditions of the said permit, and required mitigation was completed in accordance with the permit conditions.

Signature of Permittee

Date

WR

State of Illinois
Department of Transportation
Bureau of Local Roads and Streets

SPECIAL PROVISION
FOR
INSURANCE

Effective: February 1, 2007
Revised: August 1, 2007

All references to Sections or Articles in this specification shall be construed to mean specific Section or Article of the Standard Specifications for Road and Bridge Construction, adopted by the Department of Transportation.

The Contractor shall name the following entities as additional insured under the Contractor's general liability insurance policy in accordance with Article 107.27:

The entities listed above and their officers, employees, and agents shall be indemnified and held harmless in accordance with Article 107.26.

State of Illinois
DEPARTMENT OF TRANSPORTATION
Bureau of Local Roads and Streets

SPECIAL PROVISION
FOR
FUEL COST ADJUSTMENT FOR LOCAL LETTINGS

(RETURN FORM WITH BID)

Effective: June 16, 2017

Revised:

Description. Fuel cost adjustments will be made to provide additional compensation to the Contractor, or a credit to the project owner, for fluctuations in fuel prices when optioned by the Contractor. The bidder shall indicate on the attached form whether or not this special provision will be part of the contract and submit the completed form with his/her bid. Failure to submit the form or failure to indicate contract number, company name and sign and date the form shall make this contract exempt of fuel cost adjustments for all categories of work. Failure to indicate "Yes" for any category of work will make that category of work exempt from fuel cost adjustment.

General. The fuel cost adjustment shall apply to contract pay items as grouped by category. The adjustment shall only apply to those categories of work checked "Yes", and only when the cumulative plan quantities for a category exceed the required threshold. Adjustments to work items in a category, either up or down, and extra work paid for by agreed unit price will be subject to fuel cost adjustment only when the category representing the added work was subject to the fuel cost adjustment. Extra work paid for at a lump sum price or by force account will not be subject to fuel cost adjustment. Category descriptions and thresholds for application and the fuel usage factors which are applicable to each are as follows:

(a) Categories of Work.

- (1) Category A: Earthwork. Contract pay items performed under Sections 202, 204, and 206 of the IDOT Standard Specifications for Road and Bridge Construction including any modified standard or nonstandard items where the character of the work to be performed is considered earthwork. The cumulative total of all applicable item plan quantities shall exceed 25,000 cu yd (20,000 cu m). Included in the fuel usage factor is a weighted average 0.10 gal/cu yd (0.50 liters/cu m) factor for trucking.
- (2) Category B: Subbases and Aggregate Base Courses. Contract pay items constructed under Sections 311, 312 and 351 of the IDOT Standard Specifications for Road and Bridge Construction including any modified standard or nonstandard items where the character of the work to be performed is considered construction of a subbase or aggregate, stabilized or modified base course. The cumulative total of all applicable item plan quantities shall exceed 5000 tons (4500 metric tons). Included in the fuel usage factor is a 0.60 gal/ton (2.50 liters/metric ton) factor for trucking.

- (3) Category C: Hot-Mix Asphalt (HMA) Bases, Pavements and Shoulders. Contract pay items constructed under Sections 355, 406, 407 and 482 of the IDOT Standard Specifications for Road and Bridge Construction including any modified standard or nonstandard items where the character of the work to be performed is considered HMA bases, pavements and shoulders. The cumulative total of all applicable item plan quantities shall exceed 5000 tons (4500 metric tons). Included in the fuel usage factor is 0.60 gal/ton (2.50 liters/metric ton) factor for trucking.
- (4) Category D: Portland Cement Concrete (PCC) Bases, Pavements and Shoulders. Contract pay items constructed under Sections 353, 420, 421 and 483 of the IDOT Standard Specifications for Road and Bridge Construction including any modified standard or nonstandard items where the character of the work to be performed is considered PCC base, pavement or shoulder. The cumulative total of all applicable item plan quantities shall exceed 7500 sq yd (6000 sq m). Included in the fuel usage factor is 1.20 gal/cu yd (5.94 liters/cu m) factor for trucking.
- (5) Category E: Structures. Structure items having a cumulative bid price that exceeds \$250,000 for pay items constructed under Sections 502, 503, 504, 505, 512, 516 and 540 of the IDOT Standard Specifications for Road and Bridge Construction including any modified standard or nonstandard items where the character of the work to be performed is considered structure work when similar to that performed under these sections and not included in categories A through D.

(b) Fuel Usage Factors.

English Units Category	Factor	Units
A - Earthwork	0.34	gal / cu yd
B – Subbase and Aggregate Base courses	0.62	gal / ton
C – HMA Bases, Pavements and Shoulders	1.05	gal / ton
D – PCC Bases, Pavements and Shoulders	2.53	gal / cu yd
E – Structures	8.00	gal / \$1000

Metric Units Category	Factor	Units
A - Earthwork	1.68	liters / cu m
B – Subbase and Aggregate Base courses	2.58	liters / metric ton
C – HMA Bases, Pavements and Shoulders	4.37	liters / metric ton
D – PCC Bases, Pavements and Shoulders	12.52	liters / cu m
E – Structures	30.28	liters / \$1000

(c) Quantity Conversion Factors.

Category	Conversion	Factor
B	sq yd to ton	0.057 ton / sq yd / in depth
	sq m to metric ton	0.00243 metric ton / sq m / mm depth
C	sq yd to ton	0.056 ton / sq yd / in depth
	sq m to metric ton	0.00239 m ton / sq m / mm depth
D	sq yd to cu yd	0.028 cu yd / sq yd / in depth
	sq m to cu m	0.001 cu m / sq m / mm depth

Method of Adjustment. Fuel cost adjustments will be computed as follows.

$$CA = (FPI_P - FPI_L) \times FUF \times Q$$

Where: CA = Cost Adjustment, \$

FPI_P = Fuel Price Index, as published by the Department of Transportation for the month the work is performed, \$/gal (\$/liter)

FPI_L = Fuel Price Index, as published by the Department of Transportation for the month prior to the letting for work paid for at the contract price; or for the month the agreed unit price letter is submitted by the Contractor for extra work paid for by agreed unit price, \$/gal (\$/liter)

FUF = Fuel Usage Factor in the pay item(s) being adjusted

Q = Authorized construction Quantity, tons (metric tons) or cu yd (cu m)

The entire FUF indicated in paragraph (b) will be used regardless of use of trucking to perform the work.

Basis of Payment. Fuel cost adjustments may be positive or negative but will only be made when there is a difference between the FPI_L and FPI_P in excess of five percent, as calculated by:

$$\text{Percent Difference} = \{(FPI_L - FPI_P) \div FPI_L\} \times 100$$

Fuel cost adjustments will be calculated for each calendar month in which applicable work is performed; and will be paid or deducted when all other contract requirements for the items of work are satisfied. The adjustments shall not apply during contract time subject to liquidated damages for completion of the entire contract.

Return With Bid

OPTION FOR FUEL COST ADJUSTMENT

The bidder shall submit this completed form with his/her bid. Failure to submit the form or properly complete contract number, company name, and sign and date the form shall make this contract exempt of fuel cost adjustments in all categories. Failure to indicate "Yes" for any category of work at the time of bid will make that category of work exempt from fuel cost adjustment. After award, this form, when submitted shall become part of the contract.

Contract No.: _____

Company Name: _____

Contractor's Option:

Is your company opting to include this special provision as part of the contract plans for the following categories of work?

- | | | |
|--|-----|--------------------------|
| Category A Earthwork. | Yes | <input type="checkbox"/> |
| Category B Subbases and Aggregate Base Courses | Yes | <input type="checkbox"/> |
| Category C HMA Bases, Pavements and Shoulders | Yes | <input type="checkbox"/> |
| Category D PCC Bases, Pavements and Shoulders | Yes | <input type="checkbox"/> |
| Category E Structures | Yes | <input type="checkbox"/> |

Signature: _____ **Date:** _____

State of Illinois
Department of Transportation
Bureau of Local Roads and Streets
SPECIAL PROVISION
FOR
CONSTRUCTION AND MAINTENANCE SIGNS

Effective: January 1, 2004
Revised: June 1, 2007

All references to Sections or Articles in this specification shall be construed to mean a specific Section or Article of the Standard Specifications for Road and Bridge Construction, adopted by the Department of Transportation.

701.14. Signs. Add the following paragraph to Article 701.14:

All warning signs shall have minimum dimensions of 1200 mm x 1200 mm (48" x 48") and have a black legend on a fluorescent orange reflectorized background, meeting, as a minimum, Type AP reflectivity requirements of Table 1091-2 in Article 1091.02.



Apprenticeship and Training Program Certification



Local Public Agency	County	Street Name/Road Name	Section Number
Road District No. 2	Menard	T.R. 164	22-02114-00-BR

All contractors are required to complete the following certification

- For this contract proposal or for all bidding groups in this deliver and install proposal.
- For the following deliver and install bidding groups in this material proposal.

Illinois Department of Transportation policy, adopted in accordance with the provisions of the Illinois Highway Code, requires this contract to be awarded to the lowest responsive and responsible bidder. The award decision is subject to approval by the Department. In addition to all other responsibility factors, this contract or deliver and install proposal requires all bidders and all bidder's subcontractors to disclose participation in apprenticeship or training programs that are (1) approved by and registered with the United States Department of Labor's Bureau of Apprenticeship and Training, and (2) applicable to the work of the above indicated proposals or groups. Therefore, all bidders are required to complete the following certification:

1. Except as provided in paragraph 4 below, the undersigned bidder certifies that it is a participant, either as an individual or as part of a group program, in an approved apprenticeship or training program applicable to each type of work or craft that the bidder will perform with its own employees.
2. The undersigned bidder further certifies, for work to be performed by subcontract, that each of its subcontractors either (A) is, at the time of such bid, participating in an approved, applicable apprenticeship or training program; or (B) will, prior to commencement of performance of work pursuant to this contract, establish participation in an approved apprenticeship or training program applicable to the work of the subcontract.
3. The undersigned bidder, by inclusion in the list in the space below, certifies the official name of each program sponsor holding the Certificate of Registration for all of the types of work or crafts in which the bidder is a participant and that will be performed with the bidder's employees. Types of work or craft that will be subcontracted shall be included and listed as subcontract work. The list shall also indicate any type of work or craft job category for which there is no applicable apprenticeship or training program available.

4. Except for any work identified above, if any bidder or subcontractor shall perform all or part of the work of the contract or deliver and install proposal solely by individual owners, partners or members and not by employees to whom the payment of prevailing rates of wages would be required, check the following box, and identify the owner/operator workforces and positions of ownership.

The requirements of this certification and disclosure are a material part of the contract, and the contractor shall require this certification provision to be included in all approved subcontracts. The bidder is responsible for making a complete report and shall make certain that each type of work or craft job category that will be utilized on the project is accounted for and listed. The Department at any time before or afterward may require the production of a copy of each applicable Certificate of Registration issued by the United States Department of Labor evidencing such participation by the contractor and any or all of its subcontractors. In order to fulfill the participation requirement, it shall not be necessary that any applicable program sponsor be currently taking or that it will take applications for apprenticeship, training or employment during the performance of the work of this contract or deliver and install proposal.

Bidder	Signature	Date	
<div style="border: 1px solid black; height: 20px;"></div>	<div style="border: 1px solid black; height: 40px;"></div>	<div style="border: 1px solid black; height: 40px;"></div>	
Title			
<div style="border: 1px solid black; height: 20px;"></div>			
Address	City	State	Zip Code
<div style="border: 1px solid black; height: 20px;"></div>	<div style="border: 1px solid black; height: 20px;"></div>	<div style="border: 1px solid black; height: 20px;"></div>	<div style="border: 1px solid black; height: 20px;"></div>



Affidavit of Illinois Business Office



Local Public Agency	County	Street Name/Road Name	Section Number
Road District No. 2	Menard	T.R. 164	22-02114-00-BR

I, _____ of _____, _____,
Name of Affiant City of Affiant State of Affiant

being first duly sworn upon oath, state as follows:

1. That I am the _____ of _____.
Officer or Position Bidder
2. That I have personal knowledge of the facts herein stated.
3. That, if selected under the proposal described above, _____, will maintain a business office in the
Bidder
 State of Illinois, which will be located in _____ County, Illinois.
County
4. That this business office will serve as the primary place of employment for any persons employed in the construction contemplated by this proposal.
5. That this Affidavit is given as a requirement of state law as provided in Section 30-22(8) of the Illinois Procurement Code.

Signature	Date
Print Name of Affiant	

Notary Public

State of IL

County _____

Signed (or subscribed or attested) before me on _____ by
(date)

_____, authorized agent(s) of
(name/s of person/s)

Bidder

(SEAL)

Signature of Notary Public

My commission expires _____



Local Public Agency Proposal Bid Bond



Local Public Agency Road District No. 2	County Menard	Section Number 22-02114-00-BR
--	------------------	----------------------------------

WE, _____ as PRINCIPAL, and _____ as SURETY, are held jointly, severally and firmly bound unto the above Local Public Agency (hereafter referred to as "LPA") in the penal sum of 5% of the total bid price, or for the amount specified in the proposal documents in effect on the date of invitation for bids, whichever is the lesser sum. We bind ourselves, our heirs, executors, administrators, successors, and assigns, jointly pay to the LPA this sum under the conditions of this instrument.

WHEREAS THE CONDITION OF THE FOREGOING OBLIGATION IS SUCH that, the said PRINCIPAL is submitting a written proposal to the LPA acting through its awarding authority for the construction of the work designated as the above section.

THEREFORE if the proposal is accepted and a contract awarded to the PRINCIPAL by the LPA for the above designated section and the PRINCIPAL shall within fifteen (15) days after award enter into a formal contract, furnish surety guaranteeing the faithful performance of the work, and furnish evidence of the required insurance coverage, all as provided in the "Standard Specifications for Road and Bridge Construction" and applicable Supplemental Specifications, then this obligation shall become void; otherwise it shall remain in full force and effect.

IN THE EVENT the LPA determines the PRINCIPAL has failed to enter into a formal contract in compliance with any requirements set forth in the preceding paragraph, then the LPA acting through its awarding authority shall immediately be entitled to recover the full penal sum set out above, together with all court costs, all attorney fees, and any other expense of recovery.

IN TESTIMONY WHEREOF, the said PRINCIPAL and the said SURETY have caused this instrument to be signed by their respective officers this _____ of _____ Day Month and Year

Principal		Principal	
Company Name	<input type="text"/>	Company Name	<input type="text"/>
Signature	Date	Signature	Date
By: <input type="text"/>	<input type="text"/>	By: <input type="text"/>	<input type="text"/>
Title	<input type="text"/>	Title	<input type="text"/>

(If Principal is a joint venture of two or more contractors, the company names, and authorized signatures of each contractor must be affixed.)

Surety	
Name of Surety	<input type="text"/>
Signature of Attorney-in-Fact	Date
By: <input type="text"/>	<input type="text"/>

STATE OF IL
 COUNTY OF _____
 I _____, a Notary Public in and for said county do hereby certify that

(Insert names of individuals signing on behalf of PRINCIPAL & SURETY)
 who are each personally known to me to be the same persons whose names are subscribed to the foregoing instrument on behalf of PRINCIPAL and SURETY, appeared before me this day in person and acknowledged respectively, that they signed and delivered said instruments as their free and voluntary act for the uses and purposes therein set forth.

Given under my hand and notarial seal this _____ day of _____ Month and Year.

(SEAL)

Notary Public Signature

Date commission expires _____

Local Public Agency

County

Section Number

Road District No. 2

Menard

22-02114-00-BR

ELECTRONIC BID BOND

Electronic bid bond is allowed (box must be checked by LPA if electronic bid bond is allowed)

The Principal may submit an electronic bid bond, in lieu of completing the above section of the Proposal Bid Bond Form. By providing an electronic bid bond ID code and signing below, the Principal is ensuring the identified electronic bid bond has been executed and the Principal and Surety are firmly bound unto the LPA under the conditions of the bid bond as shown above. (If PRINCIPAL is a joint venture of two or more contractors, an electronic bid bond ID code, company/Bidder name title and date must be affixed for each contractor in the venture.)

Electronic Bid Bond ID Code

--	--	--	--	--	--	--	--	--	--	--	--	--	--	--	--	--	--	--	--	--

Company/Bidder Name

--

Signature

--

Date

--

Title

--

BDE SPECIAL PROVISIONS
For the August 2 and September 20, 2024 Lettings

The following special provisions indicated by a “check mark” are applicable to this contract and will be included by the Project Coordination and Implementation Section of the Bureau of Design & Environment (BDE).

File Name	#		Special Provision Title	Effective	Revised
	80099	1	<input type="checkbox"/> Accessible Pedestrian Signals (APS)	April 1, 2003	Jan. 1, 2022
	80274	2	<input type="checkbox"/> Aggregate Subgrade Improvement	April 1, 2012	April 1, 2022
	80192	3	<input type="checkbox"/> Automated Flagger Assistance Devices	Jan. 1, 2008	April 1, 2023
	80173	4	<input type="checkbox"/> Bituminous Materials Cost Adjustments	Nov. 2, 2006	Aug. 1, 2017
	80426	5	<input type="checkbox"/> Bituminous Surface Treatment with Fog Seal	Jan. 1, 2020	Jan. 1, 2022
*	80241	6	<input type="checkbox"/> Bridge Demolition Debris	July 1, 2009	
*	50531	7	<input type="checkbox"/> Building Removal	Sept. 1, 1990	Aug. 1, 2022
*	50261	8	<input type="checkbox"/> Building Removal with Asbestos Abatement	Sept. 1, 1990	Aug. 1, 2022
	80449	9	<input type="checkbox"/> Cement, Type II	Aug. 1, 2023	
	80384	10	<input type="checkbox"/> Compensable Delay Costs	June 2, 2017	April 1, 2019
*	80198	11	<input type="checkbox"/> Completion Date (via calendar days)	April 1, 2008	
*	80199	12	<input type="checkbox"/> Completion Date (via calendar days) Plus Working Days	April 1, 2008	
	80453	13	<input type="checkbox"/> Concrete Sealer	Nov. 1, 2023	
	80261	14	<input type="checkbox"/> Construction Air Quality – Diesel Retrofit	June 1, 2010	Nov. 1, 2014
	80434	15	<input type="checkbox"/> Corrugated Plastic Pipe (Culvert and Storm Sewer)	Jan. 1, 2021	
*	80029	16	<input type="checkbox"/> Disadvantaged Business Enterprise Participation	Sept. 1, 2000	Mar. 2, 2019
	80229	17	<input type="checkbox"/> Fuel Cost Adjustment	April 1, 2009	Aug. 1, 2017
	80452	18	<input type="checkbox"/> Full Lane Sealant Waterproofing System	Nov. 1, 2023	
	80447	19	<input type="checkbox"/> Grading and Shaping Ditches	Jan. 1, 2023	
	80433	20	<input type="checkbox"/> Green Preformed Thermoplastic Pavement Markings	Jan. 1, 2021	Jan. 1, 2022
	80443	21	<input type="checkbox"/> High Tension Cable Median Barrier Removal	April 1, 2022	
	80456	22	<input type="checkbox"/> Hot-Mix Asphalt	Jan. 1, 2024	
	80446	23	<input type="checkbox"/> Hot-Mix Asphalt - Longitudinal Joint Sealant	Nov. 1, 2022	Aug. 1, 2023
	80438	24	<input type="checkbox"/> Illinois Works Apprenticeship Initiative – State Funded Contracts	June 2, 2021	April 2, 2024
	80045	25	<input type="checkbox"/> Material Transfer Device	June 15, 1999	Jan. 1, 2022
	80450	26	<input type="checkbox"/> Mechanically Stabilized Earth Retaining Walls	Aug. 1, 2023	
	80441	27	<input type="checkbox"/> Performance Graded Asphalt Binder	Jan. 1, 2023	
	80451	28	<input type="checkbox"/> Portland Cement Concrete	Aug. 1, 2023	
	80459	29	<input type="checkbox"/> Preformed Plastic Pavement Marking	June 2, 2024	
*	34261	30	<input type="checkbox"/> Railroad Protective Liability Insurance	Dec. 1, 1986	Jan. 1, 2022
	80455	31	<input type="checkbox"/> Removal and Disposal of Regulated Substances	Jan. 1, 2024	April 1, 2024
	80445	32	<input type="checkbox"/> Seeding	Nov. 1, 2022	
	80457	33	<input type="checkbox"/> Short Term and Temporary Pavement Markings	April 1, 2024	April 2, 2024
	80448	34	<input type="checkbox"/> Source of Supply and Quality Requirements	Jan. 2, 2023	
	80340	35	<input type="checkbox"/> Speed Display Trailer	April 2, 2014	Jan. 1, 2022
	80127	36	<input type="checkbox"/> Steel Cost Adjustment	April 2, 2004	Jan. 1, 2022
	80397	37	<input type="checkbox"/> Subcontractor and DBE Payment Reporting	April 2, 2018	
	80391	38	<input type="checkbox"/> Subcontractor Mobilization Payments	Nov. 2, 2017	April 1, 2019
	80437	39	<input type="checkbox"/> Submission of Payroll Records	April 1, 2021	Nov. 2, 2023
	80435	40	<input type="checkbox"/> Surface Testing of Pavements – IRI	Jan. 1, 2021	Jan. 1, 2023
	80410	41	<input type="checkbox"/> Traffic Spotters	Jan. 1, 2019	
*	20338	42	<input type="checkbox"/> Training Special Provisions	Oct. 15, 1975	Sept. 2, 2021
	80429	43	<input type="checkbox"/> Ultra-Thin Bonded Wearing Course	April 1, 2020	Jan. 1, 2022
	80439	44	<input type="checkbox"/> Vehicle and Equipment Warning Lights	Nov. 1, 2021	Nov. 1, 2022
	80458	45	<input type="checkbox"/> Waterproofing Membrane System	Aug. 1, 2024	
	80302	46	<input type="checkbox"/> Weekly DBE Trucking Reports	June 2, 2012	Nov. 1, 2021
	80454	47	<input type="checkbox"/> Wood Sign Support	Nov. 1, 2023	
	80427	48	<input type="checkbox"/> Work Zone Traffic Control Devices	Mar. 2, 2020	
*	80071	49	<input type="checkbox"/> Working Days	Jan. 1, 2002	

Highlighted items indicate a new or revised special provision for the letting.

An * indicates the special provision requires additional information from the designer, which needs to be submitted separately. The Project Coordination and Implementation Section will then include the information in the applicable special provision.

The following special provisions are in the 2024 Supplemental Specifications and Recurring Special Provisions.

<u>File Name</u>	<u>Special Provision Title</u>	<u>New Location(s)</u>	<u>Effective</u>	<u>Revised</u>
80436	Blended Finely Divided Minerals	Articles 1010.01 & 1010.06	April 1, 2021	
80440	Waterproofing Membrane System	Article 1061.05	Nov. 1, 2021	

ABV	ABOVE	CU YD	CUBIC YARD	HATCH	HATCHING	PM	PAVEMENT MARKING	STD	STANDARD
A/C	ACCESS CONTROL	CULV	CULVERT	HD	HEAD	PED	PEDESTAL	SEI	STATE BOND ISSUE
AC	ACRE	C&G	CURB & GUTTER	HDW	HEADWALL	PNT	POINT	SR	STATE ROUTE
ADJ	ADJUST	D	DEGREE OF CURVE	HDUTY	HEAVY DUTY	PC	POINT OF CURVATURE	STA	STATION
AS	AERIAL SURVEYS	DC	DEPRESSED CURVE	ha	HECTARE	PI	POINT OF INTERSECTION OF HORIZONTAL CURVE	SPBGR	STEEL PLATE BEAM GUARDRAIL
AGG	AGGREGATE	DET	DETECTOR	HMA	HOT MIX ASPHALT	PRC	POINT OF REVERSE CURVE	SS	STORM SEWER
AH	AHEAD	DIA	DIAMETER	HWY	HIGHWAY	PT	POINT OF TANGENCY	STY	STORY
APT	APARTMENT	DIST	DETECTOR	HORIZ	HORIZONTAL	POT	POINT ON TANGENT	STR	STRUCTURE
ASPH	ASPHALT	DOM	DOMESTIC	HSE	HOUSE	POLYETH	POLYETHYLENE	e	SUPERELEVATION RATE
AUX	AUXILIARY	DBL	DOUBLE	IL	ILLINOIS	PCC	PORTLAND CEMENT CONCRETE	S.E. RUN,	SUPERELEVATION RUNOFF LENGTH
AGS	AUXILIARY GAS VALVE (SERVICE)	DSEL	DOWNSTREAM ELEVATION	IMP	IMPROVEMENT	PP	POWER POLE OR PRINCIPAL POINT	SURF	SURFACE
AVE	AVENUE	DSFL	DOWNSTREAM FLOWLINE	IN DIA	INCH DIAMETER	PRM	PRIME	SMK	SURVEY MARKER
AX	AXIS OF ROTATION	DR	DRAINAGE OR DRIVE	INL	INLET	PROF	PRIVATE ENTRANCE	T	TANGENT DISTANCE
BK	BACK	DJ	DRAINAGE INLET OR DROP INLET	INST	INSTALLATION	PGL	PROFILE GRADELINE	T.R.	TANGENT RUNOUT DISTANCE
B-B	BACK TO BACK	DRV	DRIVEWAY	IDS	INTERSECTION DESIGN STUDY	PROJ	PROJECT	TEL	TELEPHONE
BKPL	BACKPLATE	DCT	DUCT	INV	INVERT	P.C.	PROPERTY CORNER	TB	TELEPHONE BOX
B	BARN	EA	EACH	IP	IRON PIPE	PL	PROPERTY LINE	TP	TELEPHONE POLE
BARR	BARRICADE	EB	EASTBOUND	IR	IRON ROD	PR	PROPOSED	TEMP	TEMPORARY
BL	BASELINE	EOP	EDGE OF PAVEMENT	JT	JOINT	R	RADIUS or RESIDENTIAL	TBM	TEMPORARY BENCH MARK
BGN	BEGIN	E-CL	EDGE TO CENTERLINE	kg	KILOGRAM	RR	RAILROAD	TD	TILE DRAIN
BM	BENCHMARK	E-E	EDGE TO EDGE	km	KILOMETER	RRS	RAILROAD SPIKE	TBE	TO BE EXTENDED
BIND	BINDER	ELEC	ELECTRICAL	LN	LANE	RPS	REFERENCE POINT STAKE	TBR	TO BE REMOVED
BIT	BITUMINOUS	EL	ELEVATION	LS	LANDSCAPING	REF	REFLECTIVE	TBS	TO BE SAVED
BTM	BOTTOM	ENTR	ENTRANCE	LN	LANE	RCCP	REINFORCED CONCRETE CULVERT PIPE	TVP	TOWNSHIP
BLVD	BOULEVARD	EXC	EXCAVATION	LDAR	LIGHT DETECTION AND RANGING	REINF	REINFORCEMENT	TR	TOWNSHIP ROAD
BRK	BRICK	EX	EXISTING	LP	LIGHT POLE	REM	REMOVAL	TS	TRAFFIC SIGNAL
BBOX	BUFFALO BOX	EXPWAY	EXPRESSWAY	LGT	LIGHTING	RC	REMOVE CROWN	TSCB	TRAFFIC SIGNAL CONTROL BOX
BLDG	BUILDING	E	EXTERNAL DISTANCE OF HORIZONTAL CURVE	LF	LINEAL FEET OR LINEAR FEET	REP	REPLACEMENT	TSC	TRAFFIC SYSTEMS CENTER
CATV	CABLE	E	OFFSET DISTANCE TO VERTICAL CURVE	L	LITER OR CURVE LENGTH	REST	RESTAURANT	TRVS	TRANSVERSE
CIP	CAST IRON PIPE	F-F	FACE TO FACE	LC	LONG CHORD	RESURF	RESURFACING	TRVL	TRAVEL
CB	CATCH BASIN	FA	FEDERAL AID	LNG	LONGITUDINAL	RET	RETAINING	TRN	TURN
C-C	CENTER TO CENTER	FAI	FEDERAL AID INTERSTATE	L SUM	LUMP SUM	RT	RIGHT	TY	TYPE
CL	CENTERLINE OR CLEARANCE	FAP	FEDERAL AID PRIMARY	MACH	MACHINE	ROW	RIGHT-OF-WAY	T-A	TYPE A
CL-E	CENTERLINE TO EDGE	FAS	FEDERAL AID SECONDARY	MB	MAIL BOX	RD	ROAD	TYP	TYPICAL
CL-F	CENTERLINE TO FACE	FAUS	FEDERAL AID URBAN SECONDARY	MH	MANHOLE	RDWY	ROADWAY	UNDGND	UNDERGROUND
CTS	CENTERS	FP	FENCE POST	MATL	MATERIAL	RTE	ROUTE	USGS	U.S. GEOLOGICAL SURVEY
CERT	CERTIFIED	OPT	FIBER OPTIC	MED	MEDIAN	SAN	SANITARY	USEL	UPSTREAM ELEVATION
CHSLD	CHISELED	FE	FIELD ENTRANCE	m	METER	SANS	SANITARY SEWER	USFL	UPSTREAM FLOWLINE
CS	CITY STREET	FH	FIRE HYDRANT	METH	METHOD	SEC	SECTION	UTIL	UTILITY
CP	CLAY PIPE	FL	FLOW LINE	M	MID-ORDINATE	SEED	SEEDING	VBOX	VALVE BOX
CLSD	CLOSED	FB	FOOT BRIDGE	mm	MILLIMETER	SHAP	SHAPING	VV	VALVE VAULT
CLID	CLOSED LID	FDN	FOUNDATION	mm DIA	MILLIMETER DIAMETER	S	SHED	VLT	VAULT
CT	COAT OR COURT	FR	FRAME	MIX	MIXTURE	SH	SHEET	VEH	VEHICLE
COMB	COMBINATION	F&G	FRAME & GRATE	MBH	MOBILE HOME	SHLD	SHOULDER	VP	VENT PIPE
C	COMMERCIAL BUILDING	FRWAY	FREEWAY	MOD	MODIFIED	SW	SIDEWALK OR SOUTHWEST	VERT	VERTICAL
CE	COMMERCIAL ENTRANCE	GAL	GALLON	MFT	MOTOR FUEL TAX	SIG	SIGNAL	VC	VERTICAL CURVE
CONC	CONCRETE	GALV	GALVANIZED	N & BC	NAIL & BOTTLE CAP	SOD	SODDING	VPC	VERTICAL POINT OF CURVATURE
CONST	CONSTRUCT	G	GARAGE	N & C	NAIL & CAP	SM	SOLID MEDIUM	VPI	VERTICAL POINT OF INTERSECTION
CONTD	CONTINUED	GM	GAS METER	N & W	NAIL & WASHER	SB	SOUTHBOUND	VPT	VERTICAL POINT OF TANGENCY
CONT	CONTINUOUS	GV	GAS VALVE	NC	NORMAL CROWN	SE	SOUTHEAST	WM	WATER METER
COR	CORNER	GIS	GEOGRAPHICAL INFORMATION SYSTEM	NB	NORTHBOUND	SPL	SPECIAL	WV	WATER VALVE
CORR	CORRUGATED	GRAN	GRANULAR	NE	NORTHEAST	SD	SPECIAL DITCH	WMAIN	WATER MAIN
CMP	CORRUGATED METAL PIPE	GR	GRATE	NW	NORTHWEST	SQ FT	SQUARE FEET	WB	WESTBOUND
CNTY	COUNTY	GRVL	GRAVEL	O/S	OFFSET	m ²	SQUARE METER	WILDFL	WILDFLOWERS
CH	COUNTY HIGHWAY	GND	GROUND	O&C	OIL AND CHIP	mm ²	SQUARE MILLIMETER	W	WITH
CSE	COURSE	GUT	GUTTER	OLID	OPEN LID	SQ YD	SQUARE YARD	WO	WITHOUT
XSECT	CROSS SECTION	GP	GUY POLE	PAT	PATTERN	STB	STABILIZED		
m ³	CUBIC METER	GW	GUY WIRE	PVD	PAVED				
mm ³	CUBIC MILLIMETER	HH	HANDHOLE	PVMT	PAVEMENT				

Illinois Department of Transportation

PASSED *Michael Bond* January 1, 2021
 ENGINEER OF POLICY AND PROCEDURES

APPROVED *Jack E. G.* January 1, 2021
 ENGINEER OF DESIGN AND ENVIRONMENT

ISSUED 1-1-17

DATE	REVISIONS
1-1-21	Updated fonts, abbreviations and symbols.
1-1-19	Added new symbols.

STANDARD SYMBOLS, ABBREVIATIONS AND PATTERNS

(Sheet 1 of 9)

STANDARD 000001-08

ADJUSTMENT ITEMS			ALIGNMENT ITEMS			DRAINAGE ITEMS		
	EX	PR		EX	PR		EX	PR
Structure To Be Adjusted			Baseline			Channel or Stream Line		
Structure To Be Cleaned			Centerline			Culvert Line		
Main Structure To Be Filled			Centerline Break Circle			Grading & Shaping Ditches		
Structure To Be Filled			Baseline Symbol			Drainage Boundary Line		
Structure To Be Filled Special			Centerline Symbol			Paved Ditch		
Structure To Be Removed			PI Indicator			Aggregate Ditch		
Structure To Be Reconstructed			Point Indicator			Pipe Underdrain		
Structure To Be Reconstructed Special			Horizontal Curve Data (Half Size)	EX, CURVE P.I. STA= Δ= D= R= T= L= E= e= T.R.= S.E. RUN= P.C. STA= P.T. STA= =	CURVE P.I. STA= Δ= R= T= L= E= e= T.R.= S.E. RUN= P.C. STA= P.T. STA= =	Storm Sewer		
Frame and Grate To Be Adjusted			BOUNDARIES ITEMS					
Frame and Lid To Be Adjusted			Dashed Property Line			Flowline		
Domestic Service Box To Be Adjusted			Solid Property/Lot Line			Ditch Check		
Valve Vault To Be Adjusted			Section/Grant Line			Headwall		
Special Adjustment			Quarter Section Line			Inlet		
Item To Be Abandoned			Quarter/Quarter Section Line			Manhole		
Item To Be Moved			County/Township Line			Summit		
Item To Be Relocated			State Line			Roadway Ditch Flow		
Pavement Removal and Replacement			Chiseled Square Found			Swale		
			Iron Pipe Found			Catch Basin		
			Iron Pipe Set			Culvert End Section		
			Survey Marker			Water Surface Indicator		
			Property Line Symbol			Riprap		
			Same Ownership Symbol (Half Size)			HYDRAULICS ITEMS		
			Northwest Quarter Corner (Half Size)			Overflow		
			Section Corner (Half Size)			Sheet Flow		
			Southeast Quarter Corner (Half Size)			Hydrant Outlet		

Illinois Department of Transportation

PASSED *Michael Bond* January 1, 2021
 ENGINEER OF POLICY AND PROCEDURES

ISSUED 1-1-17

APPROVED *Scott EG* January 1, 2021
 ENGINEER OF DESIGN AND ENVIRONMENT

STANDARD SYMBOLS, ABBREVIATIONS AND PATTERNS
 (Sheet 2 of 9)

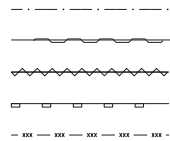
STANDARD 000001-08

EROSION & SEDIMENT CONTROL ITEMS

EX

PR

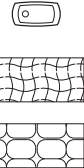
- Cleaning & Grading Limits
- Dike
- Erosion Control Fence
- Perimeter Erosion Barrier
- Temporary Fence



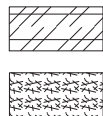
- Ditch Check Temporary
- Ditch Check Permanent
- Inlet & Pipe Protection



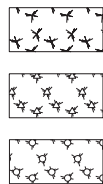
- Sediment Basin
- Erosion Control Blanket
- Fabric Formed Concrete Revetment Mat



- Turf Reinforcement Mat
- Mulch Temporary



- Mulch Method 1
- Mulch Method 2 Stabilized
- Mulch Method 3 Hydraulic

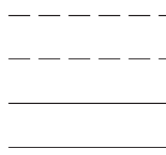


CONTOUR ITEMS

EX

PR

- Approx. Index Line
- Approx. Intermediate Line
- Index Contour
- Intermediate Contour



Illinois Department of Transportation

PASSED January 1, 2021
Michael Bond
 ENGINEER OF POLICY AND PROCEDURES

APPROVED January 1, 2021
John E. G...
 ENGINEER OF DESIGN AND ENVIRONMENT

ISSUED 14-147

NON-HIGHWAY IMPROVEMENT ITEMS

EX

PR

- Noise Attn./Levee
- Field Line
- Fence
- Base of Levee
- Mailbox
- Multiple Mailboxes
- Pay Telephone
- Advertising Sign
- ITS Camera
- Wind Turbine
- Cellular Tower



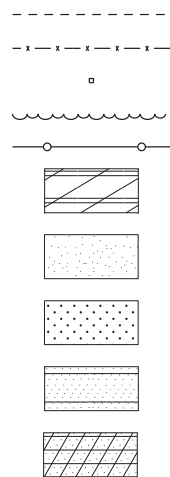
Intelligent Transportation Systems

LANDSCAPING ITEMS

EX

PR

- Contour Mounding Line
- Fence
- Fence Post
- Shrubs
- Mowline
- Perennial Plants
- Seeding Class 2
- Seeding Class 2A
- Seeding Class 4
- Seeding Class 4 & 5 Combined

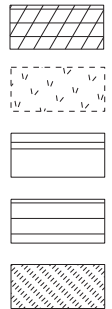


EXISTING LANDSCAPING ITEMS (contd.)

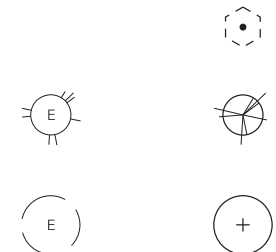
EX

PR

- Seeding Class 5
- Seeding Class 7
- Seedlings Type 1
- Seedlings Type 2
- Sodding
- Mowstake w/Sign



- Tree Trunk Protection
- Evergreen Tree
- Shade Tree

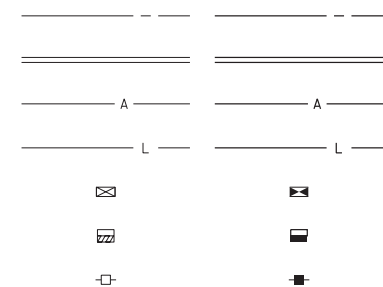


LIGHTING

EX

PR

- Duct
- Conduit
- Electrical Aerial Cable
- Electrical Buried Cable
- Controller
- Underpass Luminaire
- Power Pole



STANDARD SYMBOLS, ABBREVIATIONS AND PATTERNS

(Sheet 3 of 9)

STANDARD 000001-08

**LIGHTING
(contd.)**

EX

PR

Pull Point



Handhole



Heavy Duty Handhole



Junction Box



Light Unit Comb.



Electrical Ground



Traffic Flow Arrow



High Mast Pole
(Half Size)



Light Unit-1



PAVEMENT (MISC.)

EX

PR

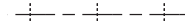
Keyed Long. Joint



Keyed Long. Joint w/Tie Bars



Sawed Long. Joint w/Tie Bars



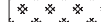
Bituminous Shoulder



Bituminous Taper



Stabilized Driveway



Widening



PAVEMENT MARKINGS

EX

PR

Handicap Symbol



RR Crossing



Raised Marker Amber 1 Way



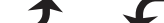
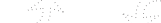
Raised Marker Amber 2 Way



Raised Marker Crystal 1 Way



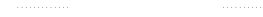
Two Way Turn Left



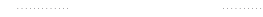
Shoulder Diag. Pattern



Skip-Dash White



Skip-Dash Yellow



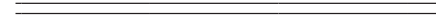
Stop Line



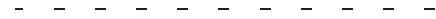
Solid Line



Double Centerline



Dotted Lines



Illinois Department of Transportation

PASSED *Michael Bond* January 1, 2021
ENGINEER OF POLICY AND PROCEDURES

APPROVED *John E. G...* January 1, 2021
ENGINEER OF DESIGN AND ENVIRONMENT

ISSUED 1-1-17

**STANDARD SYMBOLS,
ABBREVIATIONS
AND PATTERNS**

(Sheet 4 of 9)

STANDARD 000001-08

PAVEMENT MARKINGS
(contd.)

CL 2Ln 2Way
RRPM 12.2 m (40') o.c.

CL 2Ln 2Way
RRPM 80' (24.4 m) o.c.

CL Multilane Div.
RRPM 40' (12.2 m) o.c.

CL Multilane Div.
RRPM 80' (24.4 m) o.c.

CL Multilane Div. DbL.
RRPM 80' (24.4 m) o.c.

CL Multilane Undiv.

Two Way Turn Left Line

Urban Combination Left

Urban Combination Right

Urban Left Turn Arrow

Urban Right Turn Arrow

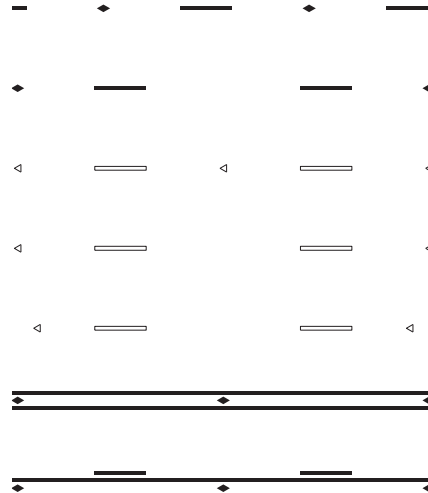
Urban Left Turn Only

Urban Right Turn Only

Urban Thru Only

EX

PR



ONLY ONLY ONLY

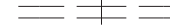


RAILROAD ITEMS

EX

PR

Abandoned Railroad



Railroad



Railroad Point



Control Box



Crossing Gate



Flashing Signal



Railroad Cant. Mast Arm



Crossbuck



REMOVAL ITEMS

EX

PR

Removal TIC



Bituminous Removal



Hatch Pattern



Tree Removal Single



RIGHT OF WAY ITEMS

EX

PR

Future ROW Corner Monument



ROW Marker



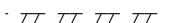
ROW Line



Easement



Temporary Easement



Illinois Department of Transportation

PASSED *Michael Bond* January 1, 2021
ENGINEER OF POLICY AND PROCEDURES

APPROVED *John E. G.* January 1, 2021
ENGINEER OF DESIGN AND ENVIRONMENT

ISSUED 1-1-21

Urban LT & RT Turn Arrow

Urban Thru Arrow

**STANDARD SYMBOLS,
ABBREVIATIONS
AND PATTERNS**
(Sheet 5 of 9)

STANDARD 000001-08

PAVEMENT MARKINGS
(contd.)

EX

PR

Urban U-Turn



Urban Combined U-Turn



Rural Combination Left



Rural Combination Right



Rural Left Turn Arrow



Rural Right Turn Arrow



Rural Left Turn Only



ONLY ONLY ONLY

Rural Right Turn Only



Rural Thru Only



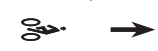
Rural Thru Arrow



Rural Lt & Rt Turn Arrow



Bike Lane Symbol



Bike Lane Text



Bike Path Shared



Bike Shared Roadway



Lane Drop Symbol



Illinois Department of Transportation	
PASSED <i>Michael Bond</i> January 1, 2021 ENGINEER OF POLICY AND PROCEDURES	ISSUED 1-1-17 Wrong Way Arrow
APPROVED <i>John Egan</i> January 1, 2021 ENGINEER OF DESIGN AND ENVIRONMENT	

STANDARD SYMBOLS, ABBREVIATIONS AND PATTERNS <small>(Sheet 6 of 9)</small>
STANDARD 000001-08

**RIGHT OF WAY ITEMS
(contd.)**

	EX	PR
Access Control Line	—	— AC —
Access Control Line & ROW	— AC —	— AC —
Access Control Line & ROW with Fence	— AC —	— AC —
Excess ROW Line		— XS —

**ROADWAY PLAN
ITEMS**

	EX	PR
Cable Barrier	—○—○—○—○—	—■—■—■—■—
Concrete Barrier	—	—
Edge of Pavement	—	—
Bit Shoulders, Medians and C&G Line	—	—
Aggregate Shoulder	—	—
Sidewalks, Driveways	—	—
Guardrail	—□—□—□—□—	—■—■—■—■—
Guardrail Post	○	○
Traffic Sign	⊥	⊥
Corrugated Median		
Impact Attenuator		○○○○
North Arrow with District Office (Half Size)	N ↓ A	
Match Line		STA. 45+00
Slope Limit Line	—	—
Typical Cross-Section Line	—	—

ROADWAY PROFILES

	EX	PR
P.I. Indicator	△	△
Point Indicator	○	○
Earthworks Balance Point		⊙
Begin Point		⊖
Vert. Curve Data	VPI = ELEV = L = E =	VPI = ELEV = L = E =
Ditch Profile Left Side	—	—
Ditch Profile Right Side	—	—
Roadway Profile Line	—	—
Storm Sewer Profile Left Side	—	—
Storm Sewer Profile Right Side	—	—

SIGNING ITEMS

	EX	PR
Cone, Drum or Barricade	○	○
Barricade Type II	⊥	⊥
Barricade Type III	⊥	⊥
Barricade With Edge Line	—	—
Flashing Light Sign	○	○
Panels I	⊥	⊥
Panels II	⊥	⊥
Direction of Traffic	→	→
Sign Flag (Half Size)	◇	◇

**SIGNING ITEMS
(contd.)**

	EX	PR
Reverse Left W1-4L (Half Size)		⊥
Reverse Right W1-4R (Half Size)		⊥
Two Way Traffic Sign W6-3 (Half Size)		⊥
Detour Ahead W20-2(O) (Half Size)		⊥
Left Lane Closed Ahead W20-5L(O) (Half Size)		⊥
Right Lane Closed Ahead W20-5R(O) (Half Size)		⊥
Road Closed Ahead W20-3(O) (Half Size)		⊥
Road Construction Ahead W20-1-(O) (Half Size)		⊥
Single Lane Ahead (Half Size)		⊥
Transition Left W4-2L (Half Size)		⊥
Transition Right W4-2R (Half Size)		⊥

Illinois Department of Transportation

PASSED January 1, 2021
Michael Bond
 ENGINEER OF POLICY AND PROCEDURES

APPROVED January 1, 2021
John E. G.
 ENGINEER OF DESIGN AND ENVIRONMENT

ISSUED 1-1-17

**STANDARD SYMBOLS,
ABBREVIATIONS
AND PATTERNS**
 (Sheet 7 of 9)

STANDARD 000001-08

**SIGNING ITEMS
(contd.)**

EX

PR

One Way Arrow Lrg. W1-6-(O)
(Half Size)



Two Way Arrow Large W1-7-(O)
(Half Size)



Detour M4-10L-(O)
(Half Size)



Detour M4-10R-(O)
(Half Size)



One Way Left R6-1L
(Half Size)



One Way Right R6-1R
(Half Size)



Left Turn Lane R3-1100L
(Half Size)



Keep Left R4-7AL
(Half Size)



Keep Left R4-7BL
(Half Size)



Keep Right R4-7AR
(Half Size)



Keep Right R4-7BR
(Half Size)



Stop Here On Red R10-6-AL
(Half Size)



Stop Here On Red R10-6-AR
(Half Size)



No Left Turn R3-2
(Half Size)



No Right Turn R3-1
(Half Size)



Road Closed R11-2
(Half Size)



Road Closed Thru Traffic R11-2
(Half Size)



STRUCTURES ITEMS

EX

PR

Box Culvert Barrel



Box Culvert Headwall



Bridge Pier



Bridge



Retaining Wall



Temporary Sheet Piling



**TRAFFIC SHEET
ITEMS**

EX

PR

Cable Number



Left Turn Green



Left Turn Yellow



Signal Backplate



Signal Section 8" (200 mm)



Signal Section 12" (300 mm)



Walk/Don't Walk Letters



Walk/Don't Walk Symbols



**TRAFFIC SIGNAL
ITEMS**

EX

PR

Galv. Steel Conduit



Underground Cable



Detector Loop Line



Detector Loop Large



Detector Loop Small



Detector Loop Quadrupole



Illinois Department of Transportation

PASSED *Michael Bond* January 1, 2021
ENGINEER OF POLICY AND PROCEDURES

APPROVED *John E. G...* January 1, 2021
ENGINEER OF DESIGN AND ENVIRONMENT

ISSUED 1-1-17

**STANDARD SYMBOLS,
ABBREVIATIONS
AND PATTERNS**
(Sheet 8 of 9)

STANDARD 000001-08

TRAFFIC SIGNAL ITEMS (contd.)

	<u>EX</u>	<u>PR</u>
Detector Raceway		
Aluminum Mast Arm		
Steel Mast Arm		
Veh. Detector Magnetic		
Conduit Splice		
Controller		
Gulfbox Junction		
Wood Pole		
Temp. Signal Head		
Handhole		
Double Handhole		
Heavy Duty Handhole		
Junction Box		
Ped. Pushbutton Detector		
Ped. Signal Head		
Power Pole Service		
Priority Veh. Detector		
Signal Head		
Signal Head w/Backplate		
Signal Post		
Closed Circuit TV		
Video Detector System		

UNDERGROUND UTILITY ITEMS

	<u>EX</u>	<u>PR</u>	<u>ABANDONED</u>
Cable TV			
Electric Cable			
Fiber Optic			
Gas Pipe			
Oil Pipe			
Sanitary Sewer			
Telephone Cable			
Water Pipe			

UTILITIES ITEMS

	<u>EX</u>	<u>PR</u>
Controller		
Double Handhole		
Fire Hydrant		
GuyWire or Deadman Anchor		
Handhole		
Heavy Duty Handhole		
Junction Box		
Light Pole		
Manhole		
Monitoring Well (Gasoline)		
Pipeline Warning Sign		
Power Pole		
Power Pole with Light		
Sanitary Sewer Cleanout		
Splice Box Above Ground		
Telephone Splice Box Above Ground		
Telephone Pole		

UTILITY ITEMS (contd.)

	<u>EX</u>	<u>PR</u>
Traffic Signal		
Traffic Signal Control Box		
Water Meter		
Water Meter Valve Box		
Profile Line		
Aerial Power Line		

VEGETATION ITEMS

	<u>EX</u>	<u>PR</u>
Deciduous Tree		
Bush or Shrub		
Evergreen Tree		
Stump		
Orchard/Nursery Line		
Vegetation Line		
Woods & Bush Line		

WATER FEATURE ITEMS

	<u>EX</u>	<u>PR</u>
Stream or Drainage Ditch		
Waters Edge		
Water Surface Indicator		
Water Point		
Disappearing Ditch		
Marsh		
Marsh/Swamp Boundary		

Illinois Department of Transportation

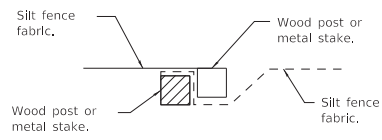
PASSED Michael Bond January 1, 2021
ENGINEER OF POLICY AND PROCEDURES

APPROVED Scott Eggen January 1, 2021
ENGINEER OF DESIGN AND ENVIRONMENT

ISSUED 1-1-17

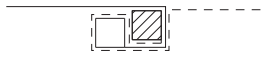
STANDARD SYMBOLS, ABBREVIATIONS AND PATTERNS
(Sheet 9 of 9)

STANDARD 000001-08



Place end-post (stake) of first silt fence adjacent to end-post (stake) of second silt fence with fabric positioned as shown.

STEP 1

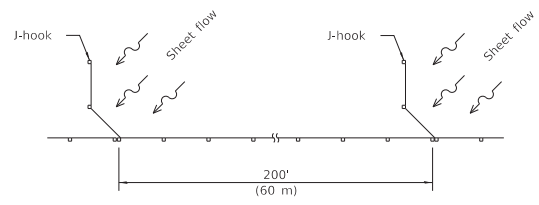


Rotate posts (stakes) together 180° clockwise and drive both posts (stakes) 18 (450) into ground.

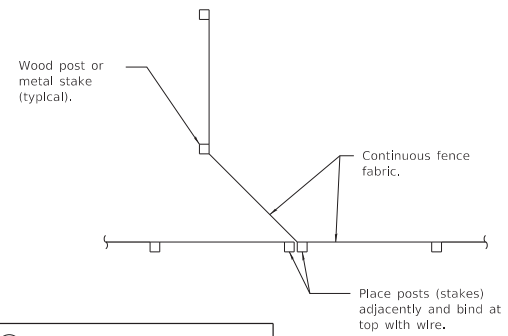
STEP 2

ATTACHING TWO SILT FILTER FENCES

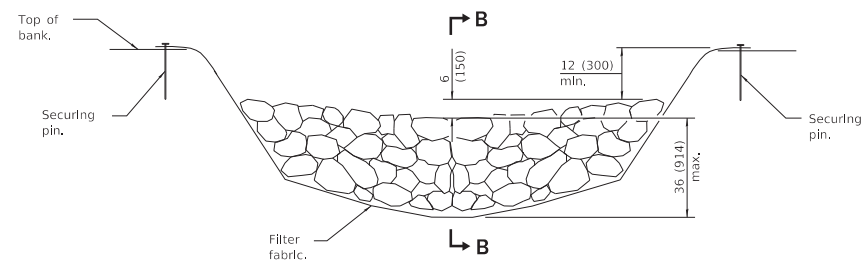
(Not applicable for J-hooks)



SILT FILTER J-HOOK PLACEMENT

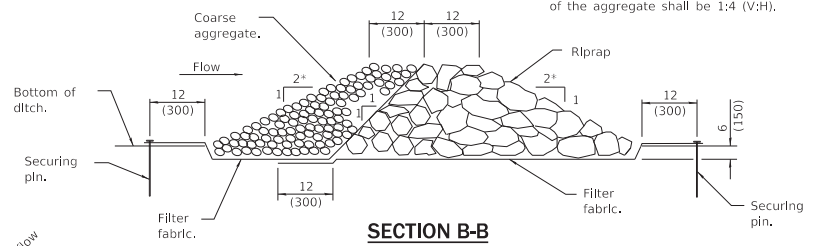


J-HOOK



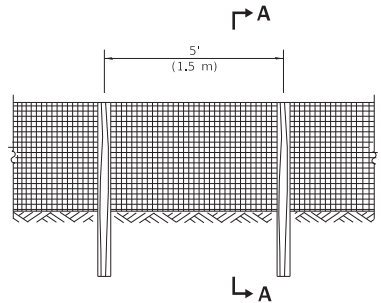
ELEVATION

* When the ditch check is within the clear zone and the road is open to traffic, the traffic approach slope of the aggregate shall be 1:4 (V:H).



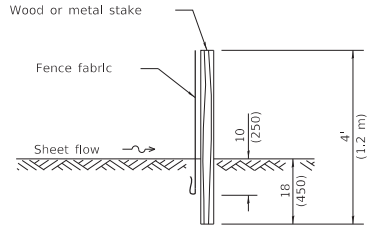
SECTION B-B

AGGREGATE DITCH CHECK

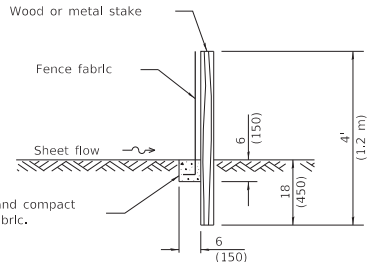


ELEVATION

SILT FILTER FENCE AS A PERIMETER EROSION BARRIER



SLICE METHOD



TRENCH METHOD

SECTION A-A

Excavate, backfill and compact trench to secure fabric.

GENERAL NOTES

The installation details and dimensions shown for perimeter erosion barriers shall also apply for Inlet and pipe protection.

All dimensions are in inches (millimeters) unless otherwise shown.

Illinois Department of Transportation

PASSED January 1, 2013
Michael Beard
 ENGINEER OF POLICY AND PROCEDURES

APPROVED January 1, 2013
[Signature]
 ENGINEER OF DESIGN AND ENVIRONMENT

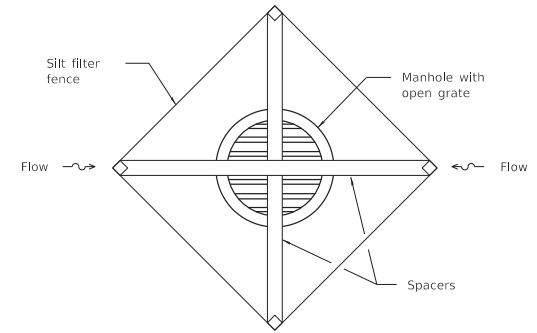
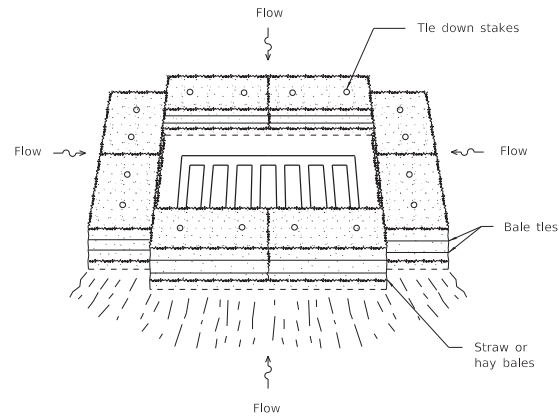
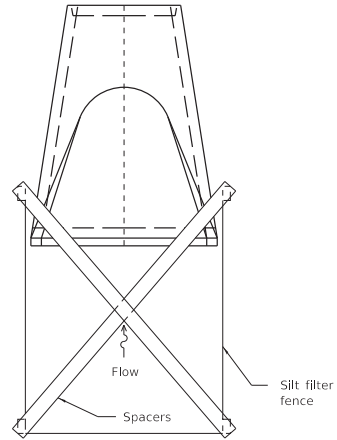
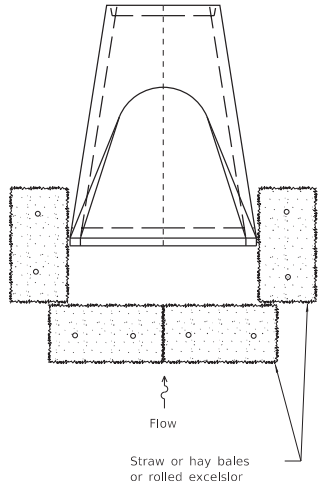
ISSUED 1-14-17

DATE	REVISIONS
1-1-13	Corrected notation for flowline (R) on SEDIMENT BASIN ELEVATION.
1-1-12	Omitted hay/straw perimeter barrier. Added SLICE METHOD to SECTION A-A.

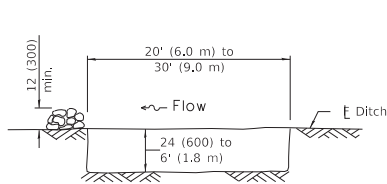
TEMPORARY EROSION CONTROL SYSTEMS

(Sheet 1 of 2)

STANDARD 280001-07

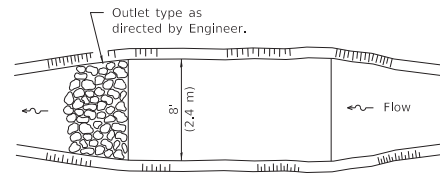


INLET AND PIPE PROTECTION



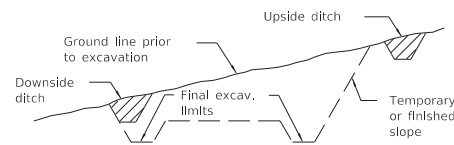
The performance of the basin will improve if put into a series.

ELEVATION

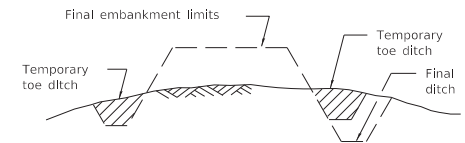


The long dimension should be parallel with the direction of the flow. Accumulated silt shall be removed anytime the basins become 75% filled.

PLAN



TYPICAL CUT CROSS-SECTION



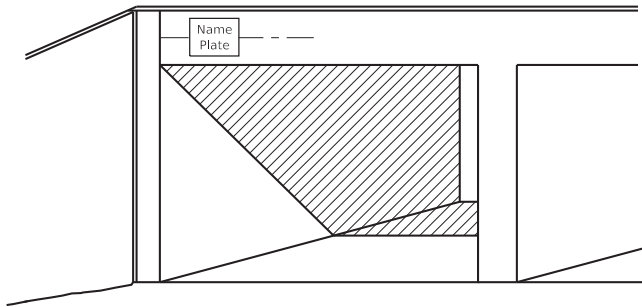
TYPICAL FILL CROSS-SECTION

TEMPORARY DITCHES FOR CUT & FILL SECTIONS

SEDIMENT BASIN

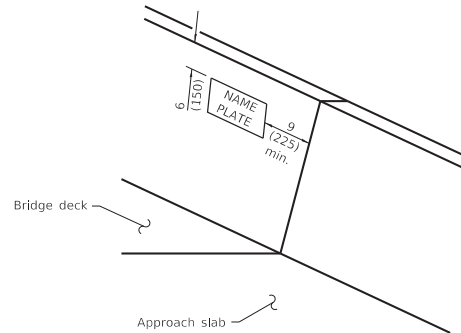
Illinois Department of Transportation	
PASSED	January 1, 2013
<i>Michael Beard</i>	
ENGINEER OF POLICY AND PROCEDURES	
APPROVED	January 1, 2013
<i>[Signature]</i>	
ENGINEER OF DESIGN AND ENVIRONMENT	
ISSUED	1-1-14

TEMPORARY EROSION CONTROL SYSTEMS
(Sheet 2 of 2)
STANDARD 280001-07



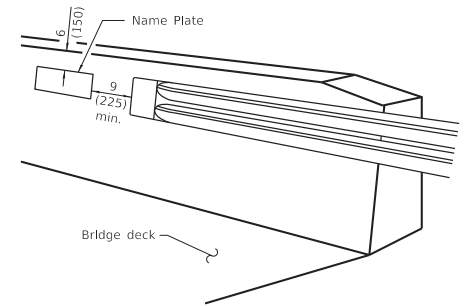
MULTI-SPAN CULVERTS

(Unless otherwise noted on the plans, name plates are not required for structures less than 20' (6.1 m) in length)



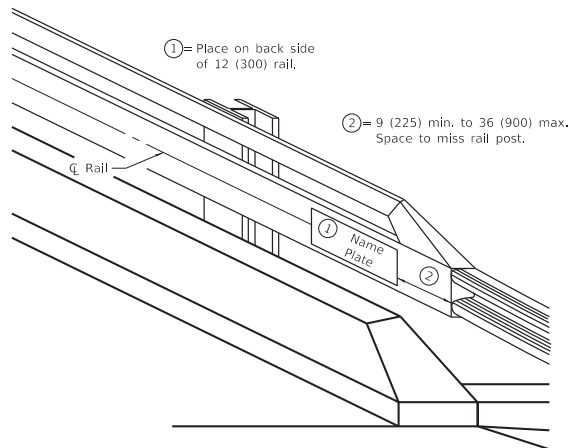
PARAPET

(Typical)

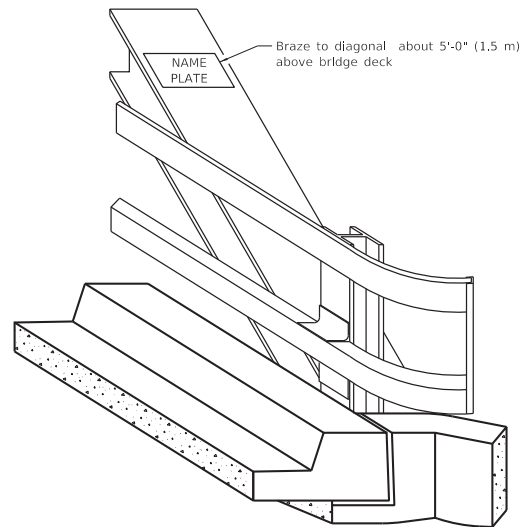


PARAPET

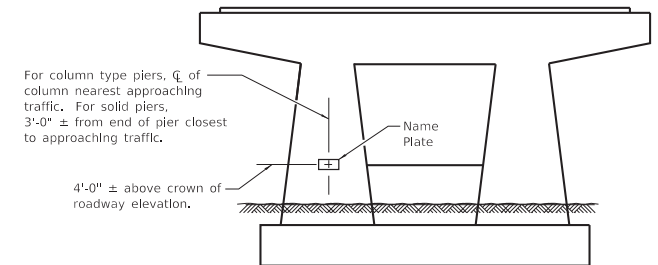
(Terminated at end of bridge)



STEEL RAILS



TRUSSES



PIERS ON FAI ROUTES

GENERAL NOTES

On one-way traffic structures, place name plate on right side of approach end. On two-way traffic structures, place name plate on right side of approach end while looking in the direction of increasing stationing.

All dimensions are in inches (millimeters) unless otherwise shown.

Illinois Department of Transportation

APPROVED: January 1, 2020
 ENGINEER OF BRIDGES AND STRUCTURES

APPROVED: January 1, 2020
 ENGINEER OF DESIGN AND ENVIRONMENT

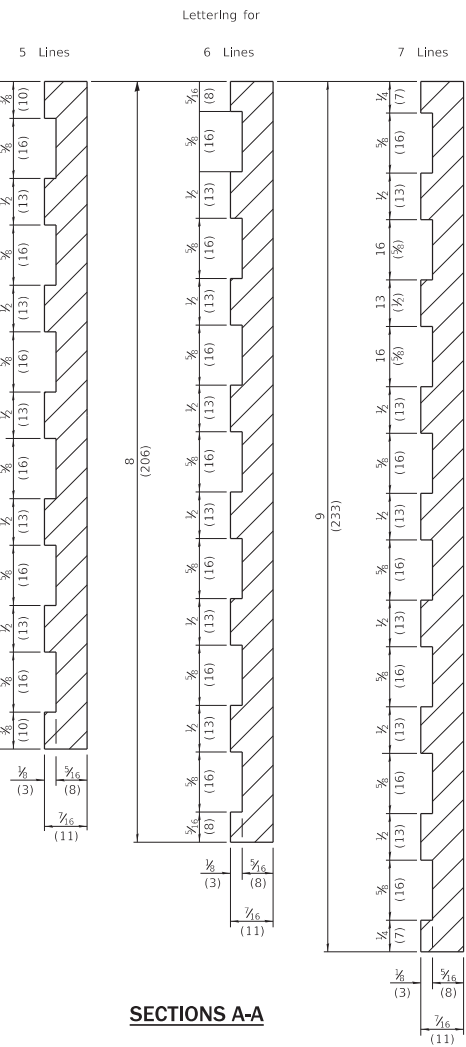
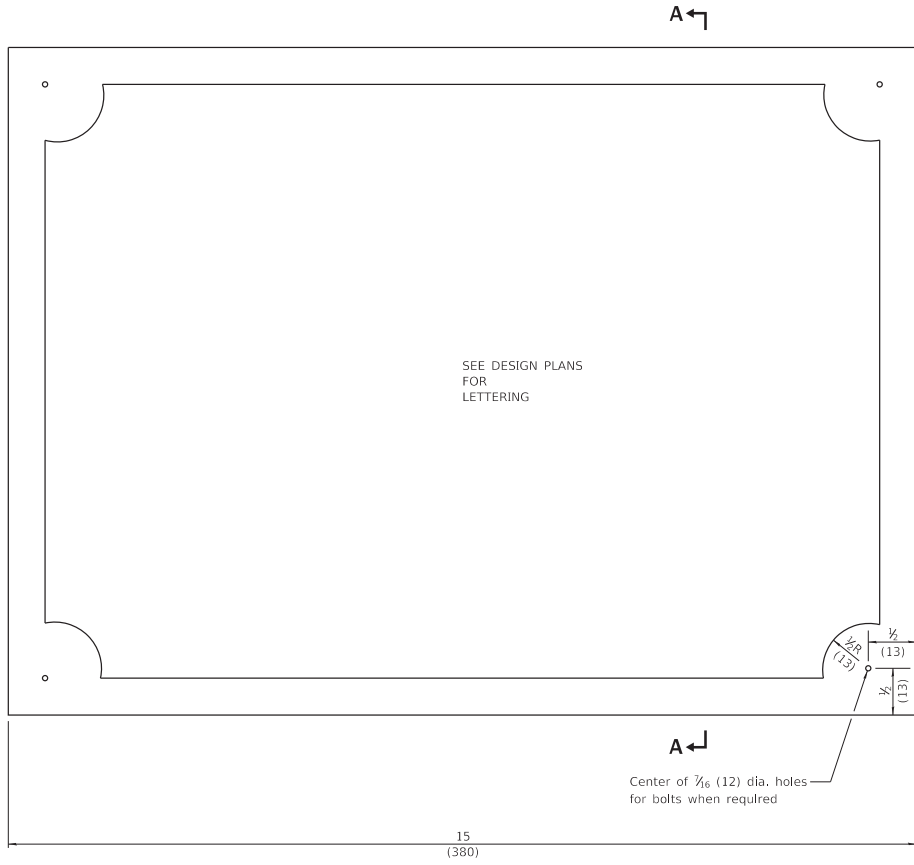
ISSUED: 1-1-17

DATE	REVISIONS
1-1-20	Revised F-shape to constant slope parapet.
1-1-09	Switched units to English (metric). Added pier detail.
1-1-02	Removed Placing; note on sht. 2. Added braze note on sht. 1.

NAME PLATE FOR BRIDGES

(Sheet 1 of 2)

STANDARD 515001-04



SECTIONS A-A

NOTE
 Border and lettering:
 Raised $\frac{1}{8}$ (3), square cut and not tapered.

**NAME PLATE
FOR BRIDGES**

(Sheet 2 of 2)

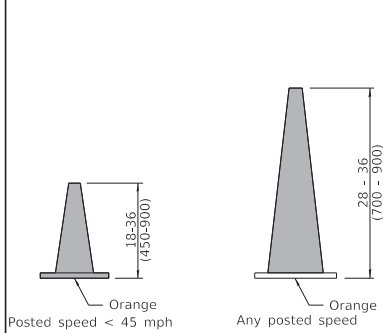
STANDARD 515001-04

Illinois Department of Transportation

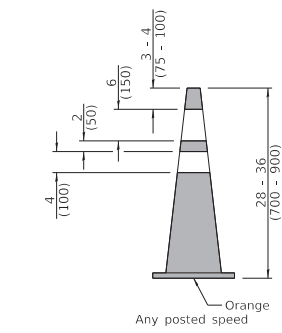
APPROVED: *[Signature]* January 1, 2020
 ENGINEER OF BRIDGES AND STRUCTURES

APPROVED: *[Signature]* January 1, 2020
 ENGINEER OF DESIGN AND ENVIRONMENT

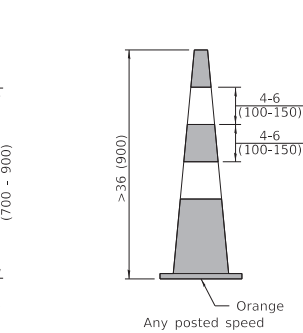
ISSUED 1-4-97



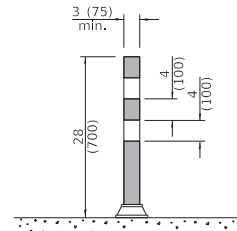
DAYTIME USE



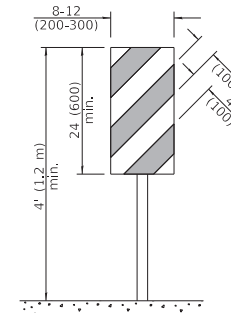
CONES



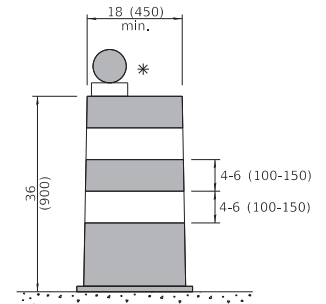
DAY OR NIGHTTIME USE



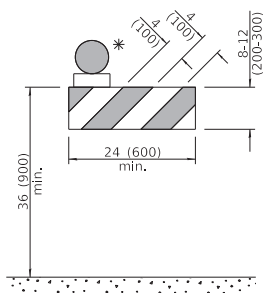
TUBULAR MARKER



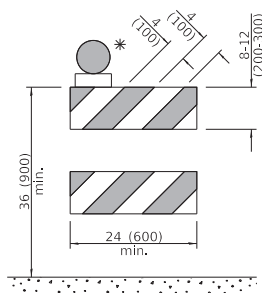
**VERTICAL PANEL
POST MOUNTED**



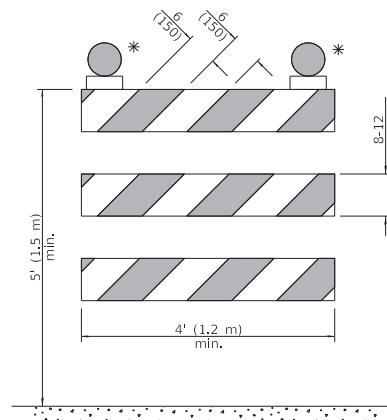
DRUM



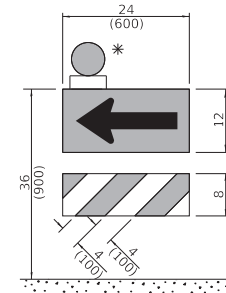
TYPE I BARRICADE



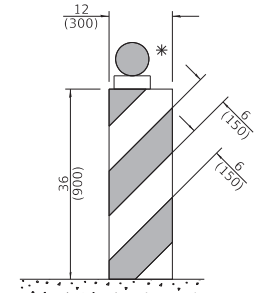
TYPE II BARRICADE



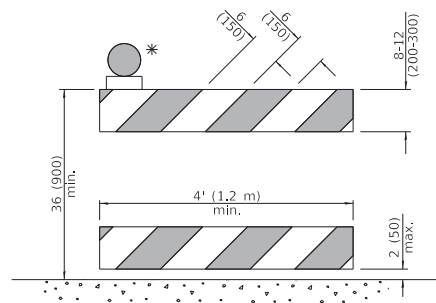
TYPE III BARRICADE



**DIRECTION INDICATOR
BARRICADE**



VERTICAL BARRICADE



**DETECTABLE PEDESTRIAN
CHANNELIZING BARRICADE**

* Warning lights (if required)

GENERAL NOTES

All heights shown shall be measured above the pavement surface.

All dimensions are in inches (millimeters) unless otherwise shown.

DATE	REVISIONS
1-1-19	Revised cone usage and added cones >36" (900 m) height.
1-1-18	Revised END WORK ZONE SPEED LIMIT sign from orange to white background.

TRAFFIC CONTROL DEVICES

(Sheet 1 of 3)

STANDARD 701901-08

Illinois Department of Transportation

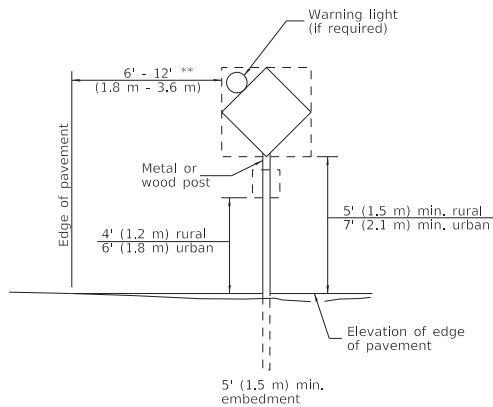
APPROVED January 1, 2019

 ENGINEER OF SAFETY, PROG. AND ENGINEERING

APPROVED January 1, 2019

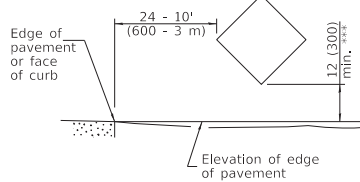
 ENGINEER OF DESIGN AND ENVIRONMENT

ST-CCT 03/15/11



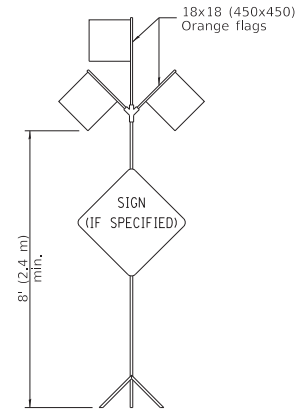
POST MOUNTED SIGNS

** When curb or paved shoulder are present this dimension shall be 24 (600) to the face of curb or 6' (1.8 m) to the outside edge of the paved shoulder.



SIGNS ON TEMPORARY SUPPORTS

*** When work operations exceed four days, this dimension shall be 5' (1.5 m) min. If located behind other devices, the height shall be sufficient to be seen completely above the devices.



HIGH LEVEL WARNING DEVICE

ROAD
CONSTRUCTION
NEXT X MILES

END
CONSTRUCTION

G20-1104(0)-6036

G20-1105(0)-6024

This signing is required for all projects 2 miles (3200 m) or more in length.

ROAD CONSTRUCTION NEXT X MILES sign shall be placed 500' (150 m) in advance of project limits.

END CONSTRUCTION sign shall be erected at the end of the job unless another job is within 2 miles (3200 m).

Dual sign displays shall be utilized on multi-lane highways.

WORK LIMIT SIGNING



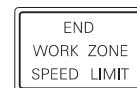
W21-1115(0)-3618

R2-1-3648

R10-1108p-3618 ****

R2-1106p-3618

Sign assembly as shown on Standards or as allowed by District Operations.



G20-1103-6036

This sign shall be used when the above sign assembly is used.

HIGHWAY CONSTRUCTION SPEED ZONE SIGNS

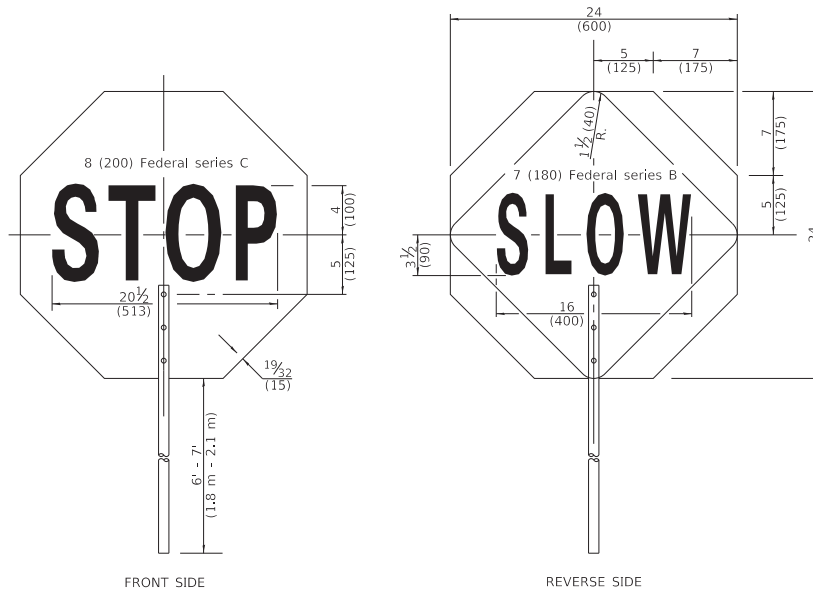
**** R10-1108p shall only be used along roadways under the jurisdiction of the State.



W12-1103-4848

WIDTH RESTRICTION SIGN

XX'-XX" width and X miles are variable.



FLAGGER TRAFFIC CONTROL SIGN

Illinois Department of Transportation

APPROVED January 1, 2019
Cynthia A. ...
 ENGINEER OF SAFETY PROG. AND ENGINEERING

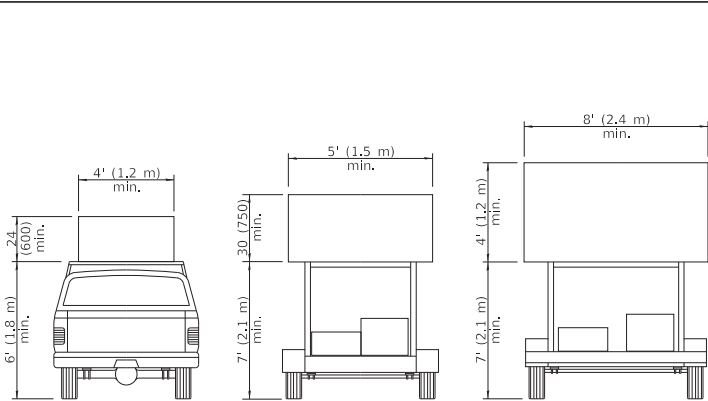
APPROVED January 1, 2019
... ..
 ENGINEER OF DESIGN AND ENVIRONMENT

DESIGNED 11-1-19

TRAFFIC CONTROL DEVICES

(Sheet 2 of 3)

STANDARD 701901-08

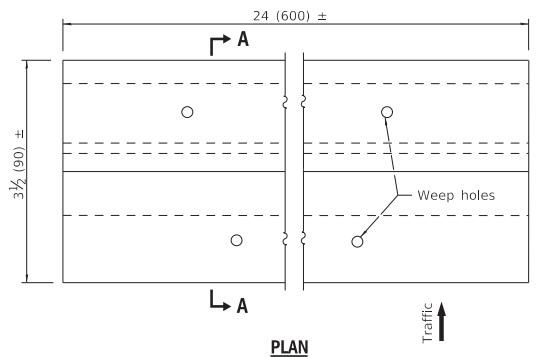


**TYPE A
ROOF
MOUNTED**

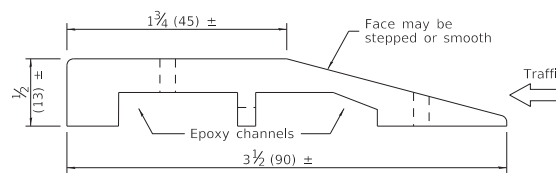
**TYPE B
ROOF OR TRAILER
MOUNTED**

**TYPE C
TRAILER
MOUNTED**

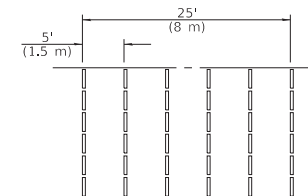
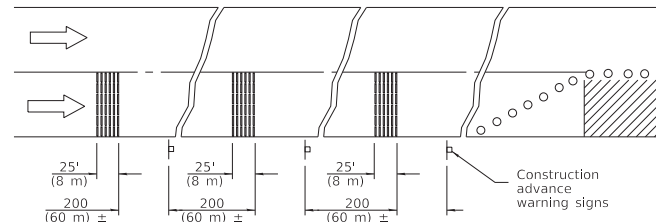
ARROW BOARDS



PLAN

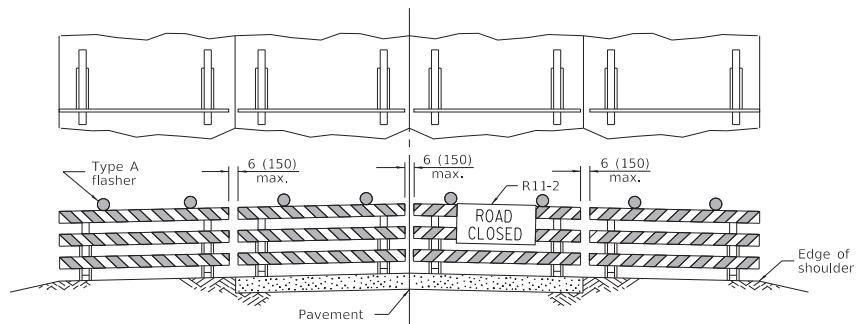


SECTION A-A



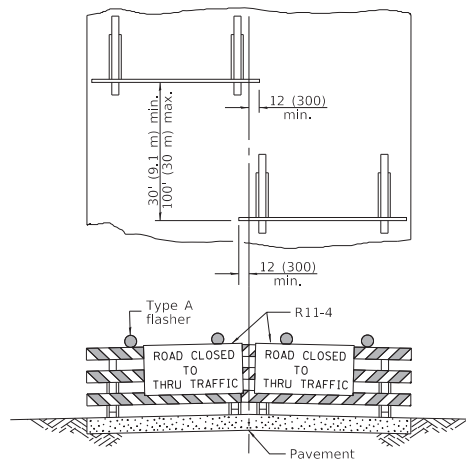
TYPICAL INSTALLATION

TEMPORARY RUMBLE STRIPS



ROAD CLOSED TO ALL TRAFFIC

ReflectORIZED striping may be omitted on the back side of the barricades. If a Type III barricade with an attached sign panel which meets NCHRP 350 is not available, the sign may be mounted on an NCHRP 350 temporary sign support directly in front of the barricade.



ROAD CLOSED TO THRU TRAFFIC

ReflectORIZED striping shall appear on both sides of the barricades. If a Type III barricade with an attached sign panel which meets NCHRP 350 is not available, the signs may be mounted on NCHRP 350 temporary sign supports directly in front of the barricade.

**TYPICAL APPLICATIONS OF
TYPE III BARRICADES CLOSING A ROAD**

**TRAFFIC CONTROL
DEVICES**

(Sheet 3 of 3)

STANDARD 701901-08

Illinois Department of Transportation

APPROVED January 1, 2019

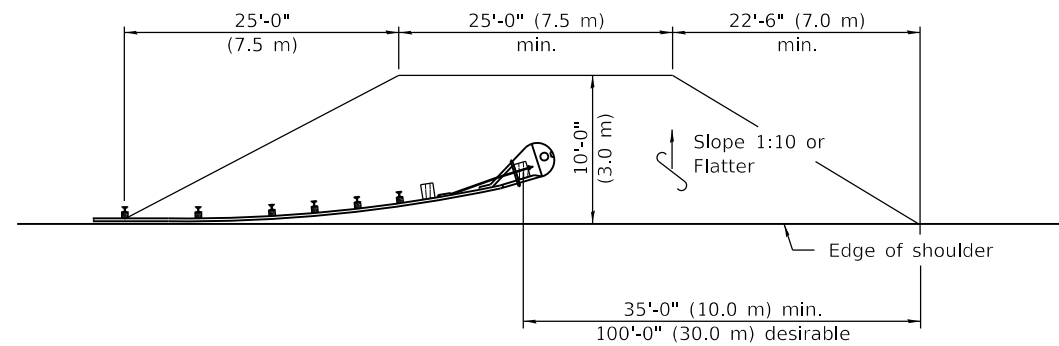
 ENGINEER OF SAFETY PROG. AND ENGINEERING

APPROVED January 1, 2019

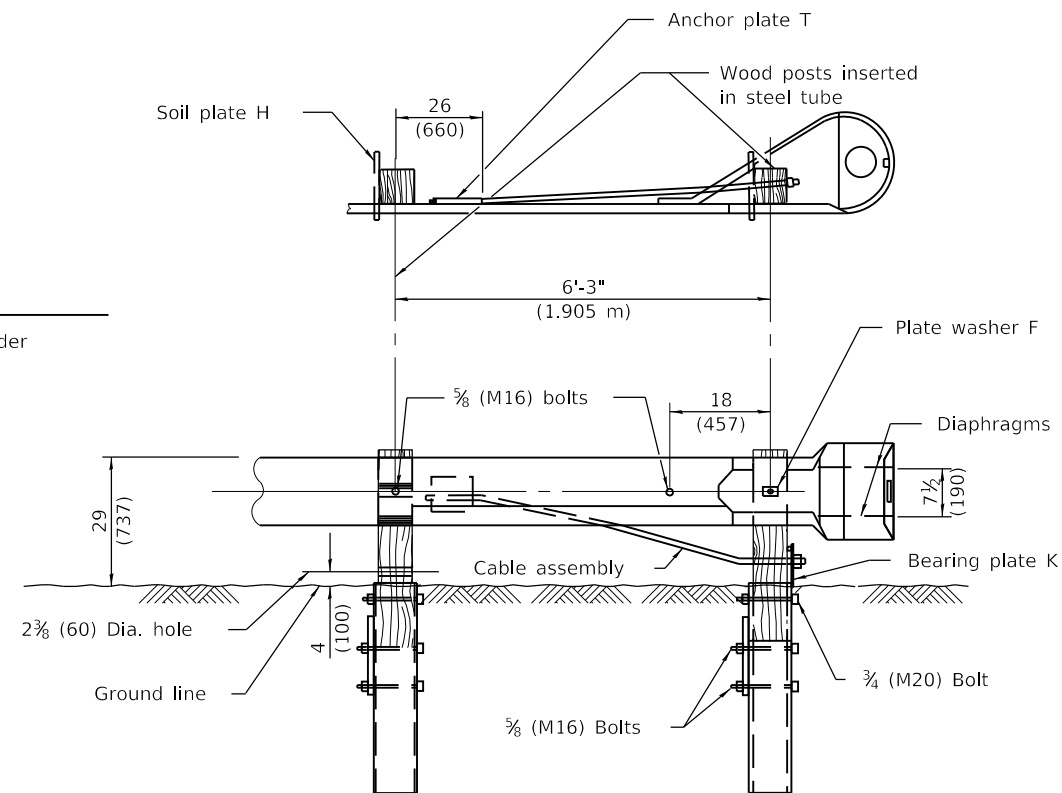
 ENGINEER OF DESIGN AND ENVIRONMENT

ST-111 (01/15)

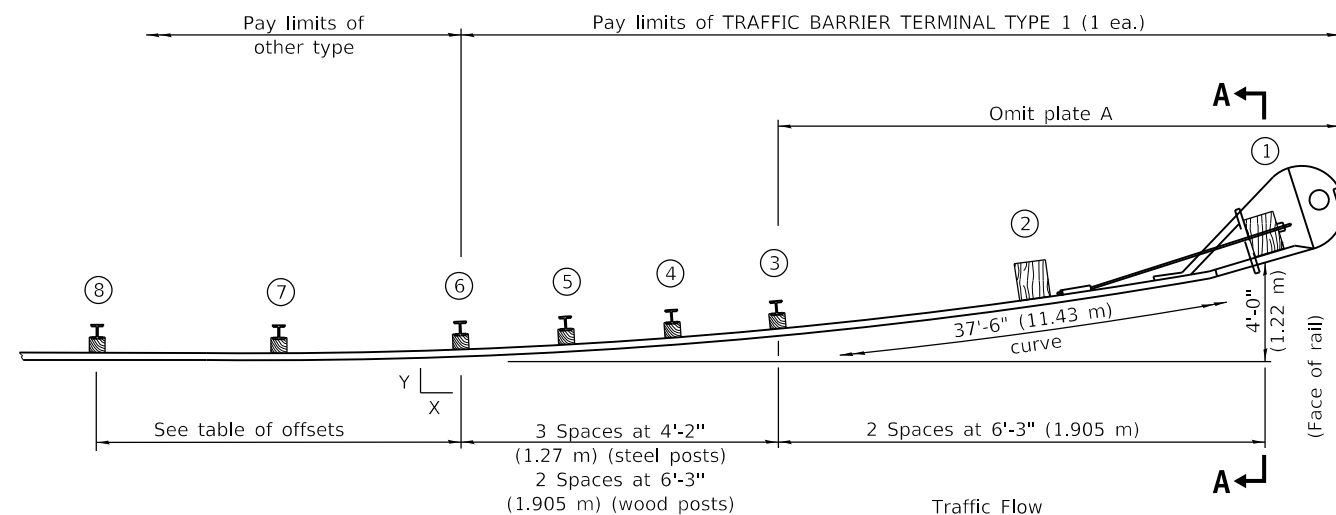
OFFSETS TO FACE OF RAIL		
Post	X ft (m)	Y ft (m)
①	37.22 (11.345)	4.0 (1.22)
②	31.09 (9.475)	2.79 (0.850)
③	24.92 (7.595)	1.79 (0.545)
④	20.79 (6.335)	1.25 (0.380)
⑤	16.64 (5.070)	0.80 (0.245)
⑥	12.49 (3.805)	0.45 (0.135)
⑦	6.25 (1.905)	0.11 (0.035)
⑧	0.00 (0.00)	0.00 (0.00)



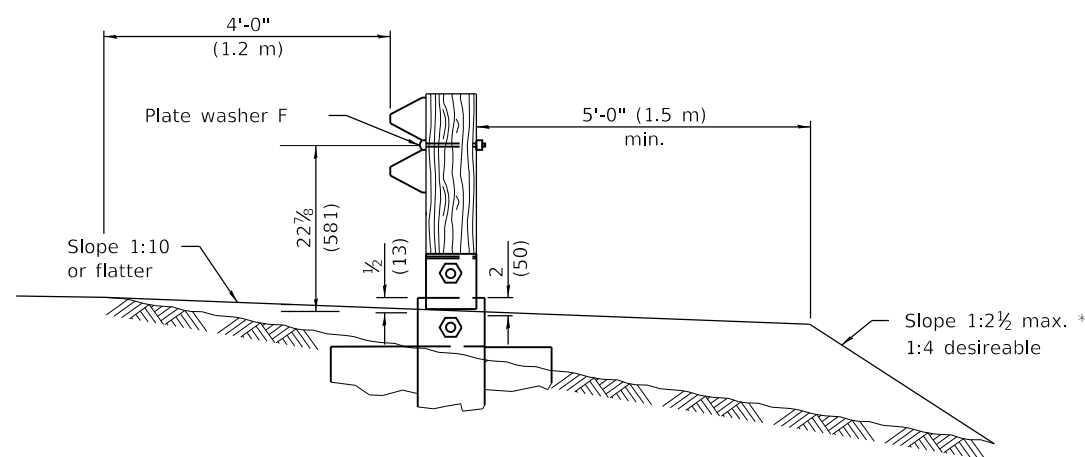
SHOULDER WIDENING TRANSITION



**WOOD BREAKAWAY POSTS
TUBULAR STEEL FOUNDATIONS**



PLAN



SECTION A-A

* If fill height exceeds 5'-0" (1.5 m) use 1:3 max.

GENERAL NOTES

See Standard B.L.R. 26 for details of guardrail not shown.

Posts at location 1 & 2 shall be wood breakaway posts. Posts other than 1 & 2 may be either standard wood posts or steel posts, at the option of the Contractor. If standard wood posts are used, one post shall be located midway between and in lieu of posts 4 & 5. The offset (Y) for this post shall be 12 (300).

A two-piece assembly may be substituted for the one piece nose shown above.

The bearing plate K shall be held in position by (2) two eightpenny nails driven into the post and bent over the top of the plate.

When this terminal is used with Standard 630001, the guardrail shall transition down to the height of the terminal prior to post 8.

All slope ratios are expressed as units of vertical displacement to units of horizontal displacement (V:H).

All dimensions are in inches (millimeters) unless otherwise shown.

DATE	REVISIONS
1-1-12	Revised barrier terminal height and wood breakaway post.
1-1-09	Switched units to English (metric).

**TRAFFIC BARRIER
TERMINAL TYPE 1**

(Sheet 1 of 2)

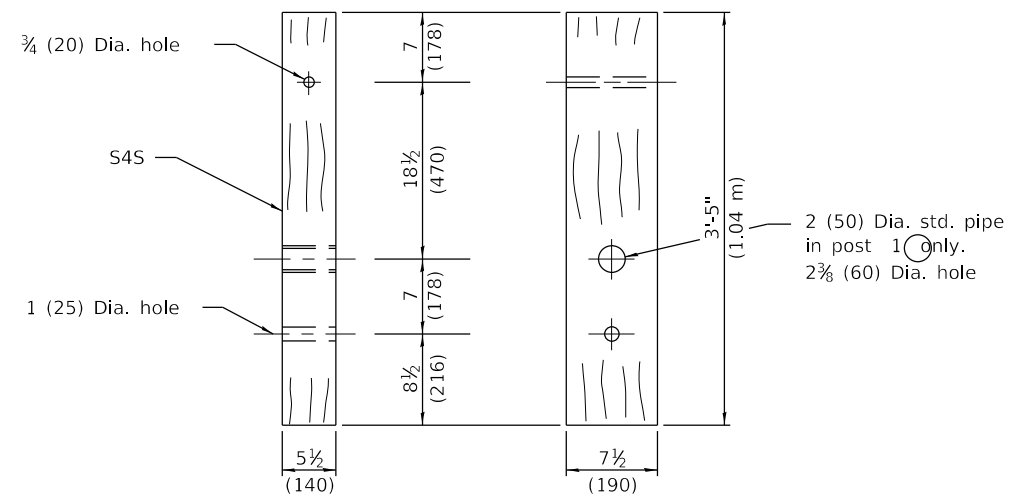
STANDARD B.L.R. 23-4

Illinois Department of Transportation

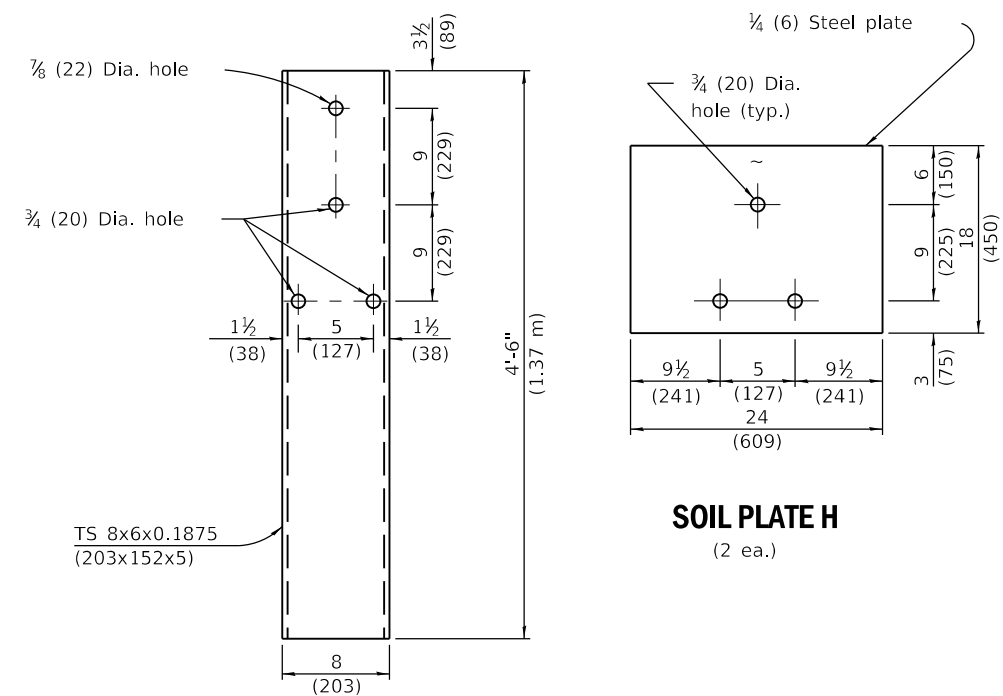
PASSED January 1, 2012
Danell Lewis
 ENGINEER OF LOCAL ROADS AND STREETS

APPROVED January 1, 2012
Scott Esch
 ENGINEER OF DESIGN AND ENVIRONMENT

ISSUED 1-1-08

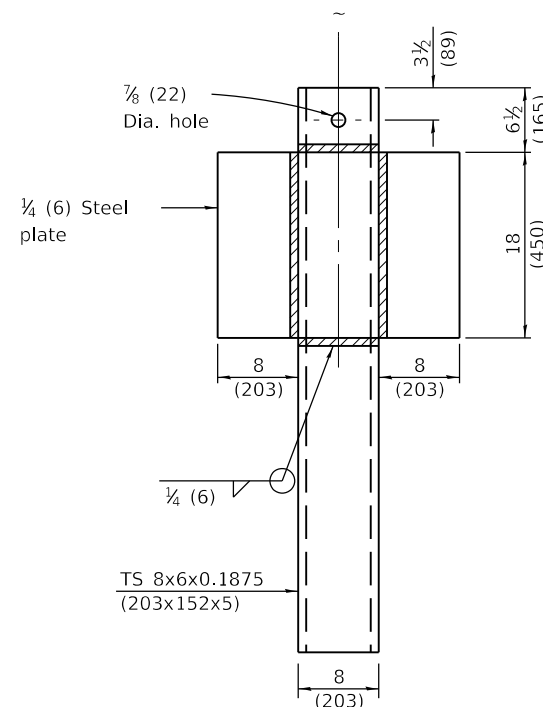
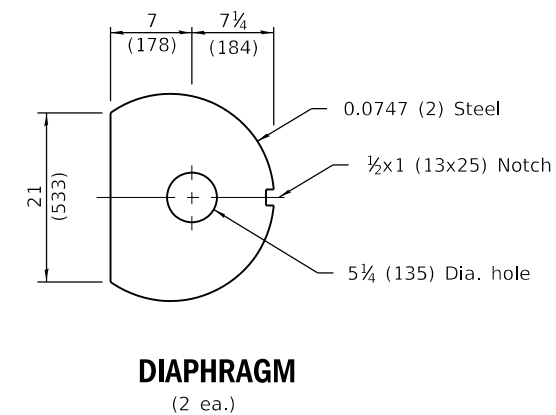
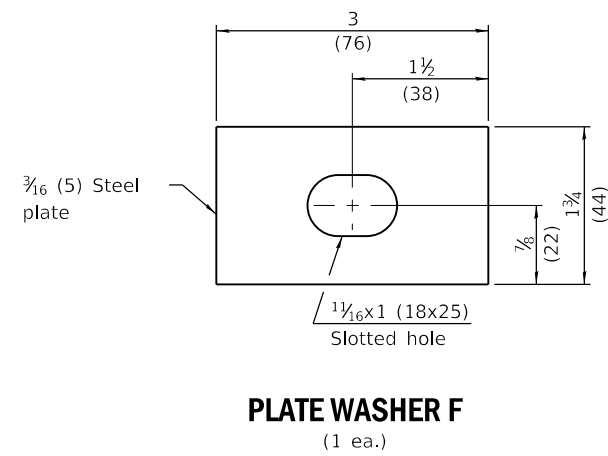


WOOD BREAKAWAY POST
(2 ea.)

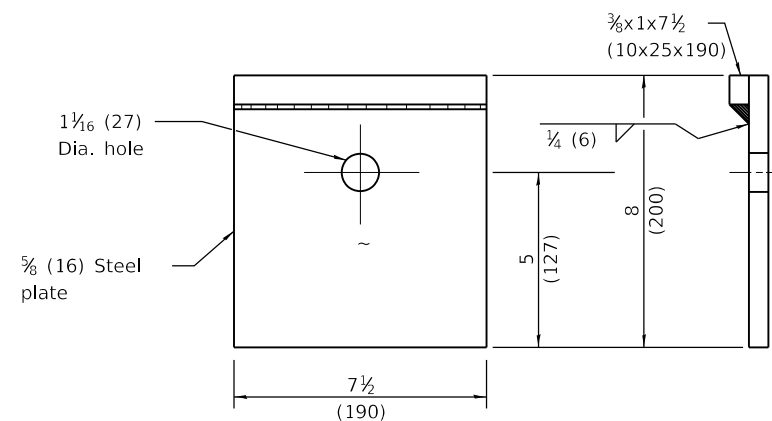
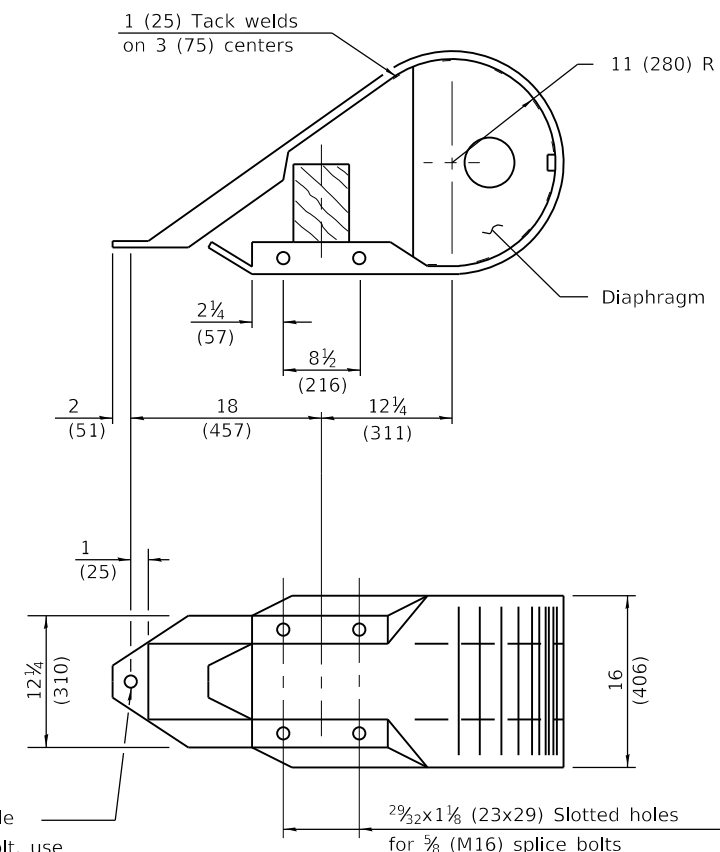


STEEL TUBE
(2 ea.)

SOIL PLATE H
(2 ea.)

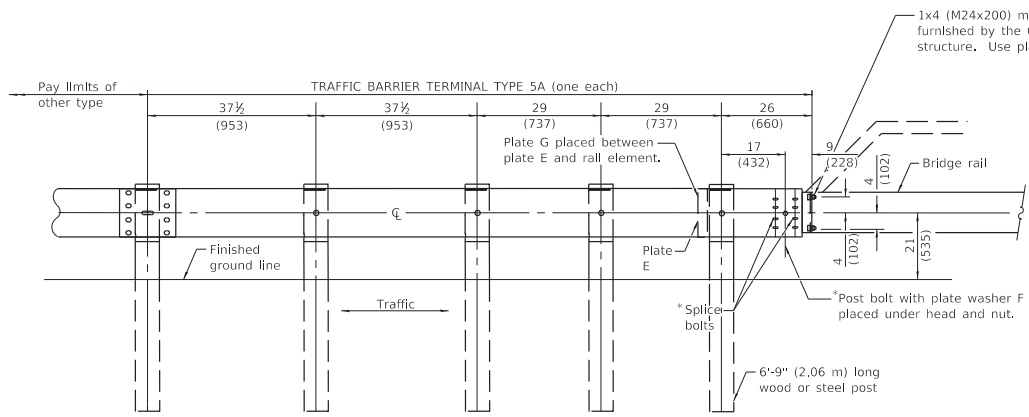


ALTERNATE SOIL PLATE CONNECTION



BEARING PLATE K
(1 ea.)

3/4 (20) Dia. hole for 3/8 (M15) bolt, use plate washer F under head and nut at this bolt only.



TYPE 5A - STEEL BRIDGE RAIL

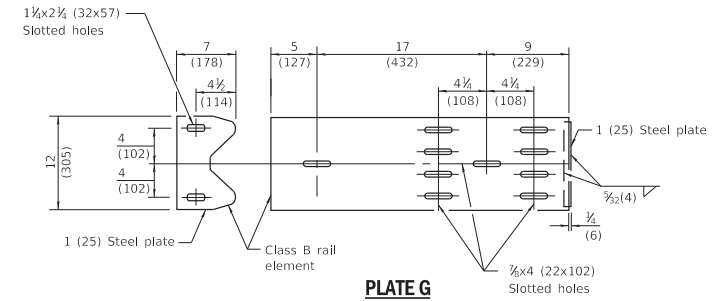


PLATE G

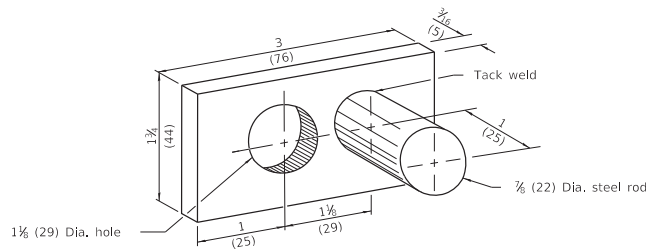
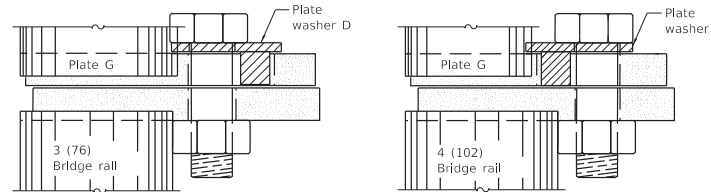


PLATE WASHER D



PLACEMENT OF PLATE WASHER D

(PLAN)

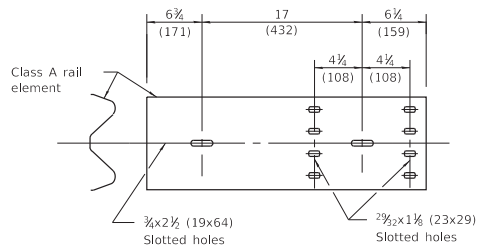


PLATE E

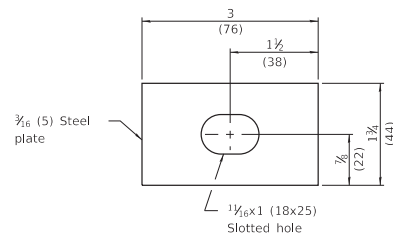


PLATE WASHER F

GENERAL NOTES

See Standard B.L.R. 26 for details of guardrail not shown.

Install plate washer D so the 1 (25) projection fills the remainder of the slotted holes in the 1 (25) end plate on plate G after the 1 (M24) dia. bolts are in place.

When an expansion joint exists below the connector, bolts shall be provided with a locknut or double nuts and shall be tightened only to a point that will allow plate G to be free to move.

The face of the guardrail shall be installed flush with the face of the bridge rail.

When this terminal is used with Standard 630001, the guardrail shall transition down to the height of the terminal.

All dimensions are in inches (millimeters) unless otherwise shown.

DATE	REVISIONS
1-1-09	Switched units to English (metric).
1-1-08	New Standard. Was part of Std. 631026 prior to January 1, 2007.

TRAFFIC BARRIER TERMINAL TYPE 5A

STANDARD B.L.R. 27-1

Illinois Department of Transportation

PASSED January 1, 2009

Charles J. Rossignol
ENGINEER OF LOCAL ROADS AND STREETS

APPROVED January 1, 2009

Ken E. Han
ENGINEER OF DESIGN AND ENVIRONMENT

800-PT CENTER

Menard County Prevailing Wage Rates posted on 5/20/2024

						Overtime										
Trade Title	Rg	Type	C	Base	Foreman	M-F	Sa	Su	Hol	H/W	Pension	Vac	Trng	Other Ins	Add OT 1.5x owed	Add OT 2.0x owed
ASBESTOS ABT-GEN	All	BLD		34.71	35.96	1.5	1.5	2.0	2.0	7.75	20.20	0.00	0.90	0.00	0.00	0.00
ASBESTOS ABT-MEC	All	BLD		34.30	35.30	1.5	1.5	2.0	2.0	10.20	6.80	0.00	0.50	0.00	0.00	0.00
BOILERMAKER	All	BLD		42.50	46.00	1.5	1.5	2.0	2.0	7.07	27.21	0.00	1.06		0.00	0.00
BRICK MASON	All	BLD		36.62	38.82	1.5	1.5	2.0	2.0	9.60	16.60	0.00	1.00	0.00	0.00	0.00
CARPENTER	All	BLD		35.15	37.40	1.5	1.5	2.0	2.0	9.45	21.50	0.00	0.79	0.00	15.48	30.95
CARPENTER	All	HWY		37.82	39.57	1.5	1.5	2.0	2.0	9.45	21.50	0.00	0.76	0.00	0.00	0.00
CEMENT MASON	All	BLD		31.80	33.30	1.5	1.5	2.0	2.0	10.00	16.16	0.00	0.73	0.00	0.00	0.00
CEMENT MASON	All	HWY		32.03	34.03	1.5	1.5	2.0	2.0	10.00	17.60	0.00	0.66	0.00	0.00	0.00
CERAMIC TILE FINISHER	All	BLD		34.27		1.5	1.5	2.0	2.0	9.60	12.70	0.00	0.55	0.00	0.00	0.00
ELECTRIC PWR EQMT OP	All	ALL		52.63	62.45	1.5	1.5	2.0	2.0	8.58	14.74	0.00	0.79	0.00	0.00	0.00
ELECTRIC PWR GRNDMAN	All	ALL		35.76	62.45	1.5	1.5	2.0	2.0	8.07	10.01	0.00	0.54	0.00	0.00	0.00
ELECTRIC PWR LINEMAN	All	ALL		58.58	62.45	1.5	1.5	2.0	2.0	8.76	16.40	0.00	0.88	0.00	0.00	0.00
ELECTRIC PWR TRK DRV	All	ALL		37.53	62.45	1.5	1.5	2.0	2.0	8.13	10.51	0.00	0.57	0.00	0.00	0.00
ELECTRICIAN	All	BLD		39.74	42.24	1.5	1.5	2.0	2.0	9.15	12.09	0.00	0.70	0.00	0.99	1.99
ELECTRONIC SYSTEM TECH	All	BLD		35.78	38.78	1.5	1.5	2.0	2.0	8.35	11.72	0.00	0.40	0.00	0.54	1.07
ELEVATOR CONSTRUCTOR	All	BLD		55.57	62.52	2.0	2.0	2.0	2.0	16.17	20.96	4.45	0.75		0.00	0.00
GLAZIER	All	BLD		38.60	40.60	1.5	1.5	2.0	2.0	7.85	13.77	0.00	0.68	0.00	0.00	0.00
HEAT/FROST INSULATOR	All	BLD		41.73	42.73	1.5	1.5	2.0	2.0	11.74	13.50	0.00	1.05		0.00	0.00
IRON WORKER	All	BLD		35.20	37.20	1.5	1.5	2.0	2.0	10.55	18.50	0.00	1.00		0.00	0.00
IRON WORKER	All	HWY		36.84	38.59	1.5	1.5	2.0	2.0	10.55	20.09	0.00	1.00		0.00	0.00
LABORER	All	BLD		31.71	32.96	1.5	1.5	2.0	2.0	7.75	20.20	0.00	0.80	0.00	0.00	0.00
LABORER	All	HWY		32.78	33.53	1.5	1.5	2.0	2.0	7.75	20.20	0.00	0.80	0.00	0.00	0.00
LATHER	All	BLD		35.15	37.40	1.5	1.5	2.0	2.0	9.45	21.50	0.00	0.79	0.00	15.48	30.95
MACHINIST	All	BLD		55.74	59.74	1.5	1.5	2.0	2.0	9.93	8.95	1.85	1.47		0.00	0.00
MARBLE FINISHER	All	BLD		34.27		1.5	1.5	2.0	2.0	9.60	12.70	0.00	0.55	0.00	0.00	0.00
MARBLE MASON	All	BLD		35.83		1.5	1.5	2.0	2.0	9.60	12.70	0.00	0.55	0.00	0.00	0.00
MILLWRIGHT	All	BLD		35.58	37.83	1.5	1.5	2.0	2.0	9.45	21.54	0.00	0.79	0.00	15.50	30.99

Menard County Prevailing Wage Rates posted on 5/20/2024

MILLWRIGHT	All	HWY		40.10	41.85	1.5	1.5	2.0	2.0	9.45	22.34	0.00	0.76	0.00	0.00	0.00
OPERATING ENGINEER	All	BLD	1	40.71	42.32	1.5	1.5	2.0	2.0	12.00	14.25	0.00	2.50		0.00	0.00
OPERATING ENGINEER	All	BLD	2	38.18	42.32	1.5	1.5	2.0	2.0	12.00	14.25	0.00	2.50		0.00	0.00
OPERATING ENGINEER	All	BLD	3	34.30	42.32	1.5	1.5	2.0	2.0	12.00	14.25	0.00	2.50		0.00	0.00
OPERATING ENGINEER	All	BLD	4	42.32	42.32	1.5	1.5	2.0	2.0	12.00	14.25	0.00	2.50		0.00	0.00
OPERATING ENGINEER	All	HWY	1	47.21		1.5	1.5	2.0	2.0	12.00	15.70	0.00	2.50		0.00	0.00
OPERATING ENGINEER	All	HWY	2	41.88		1.5	1.5	2.0	2.0	12.00	15.70	0.00	2.50		0.00	0.00
OPERATING ENGINEER	All	HWY	3	33.67		1.5	1.5	2.0	2.0	12.00	15.70	0.00	2.50		0.00	0.00
OPERATING ENGINEER	All	HWY	4	48.81		1.5	1.5	2.0	2.0	12.00	15.70	0.00	2.50		0.00	0.00
PAINTER	All	ALL		32.23	33.73	1.5	1.5	2.0	2.0	7.85	14.88	0.00	0.65	0.00	0.00	0.00
PAINTER OVER 30 FT.	All	ALL		33.23	34.73	1.5	1.5	2.0	2.0	7.85	14.88	0.00	0.65	0.00	0.00	0.00
PAINTER PWR EQMT	All	ALL		33.23	34.73	1.5	1.5	2.0	2.0	7.85	14.88	0.00	0.65	0.00	0.00	0.00
PILEDRIVER	All	BLD		36.15	38.40	1.5	1.5	2.0	2.0	9.45	21.50	0.00	0.79	0.00	15.48	30.95
PILEDRIVER	All	HWY		38.82	40.57	1.5	1.5	2.0	2.0	9.45	21.50	0.00	0.76	0.00	0.00	0.00
PIPEFITTER	All	BLD		43.73	47.73	1.5	1.5	2.0	2.0	9.45	13.86	0.00	1.33	0.00	0.00	0.00
PLASTERER	All	BLD		35.41	37.16	1.5	1.5	2.0	2.0	9.00	17.33	0.00	0.98	0.00	0.00	0.00
PLUMBER	All	BLD		43.73	47.73	1.5	1.5	2.0	2.0	9.45	13.86	0.00	1.33	0.00	0.00	0.00
ROOFER	All	BLD		34.11	37.21	1.5	1.5	2.0	2.0	10.40	13.31	0.00	0.56	0.00	0.00	0.00
SHEETMETAL WORKER	All	BLD		38.54	42.34	1.5	1.5	2.0	2.0	10.80	16.50	0.00	0.96	1.98	0.00	0.00
SPRINKLER FITTER	All	BLD		47.09	50.09	1.5	1.5	2.0	2.0	11.45	14.92	0.00	0.52		0.00	0.00
STONE MASON	All	BLD		36.62	38.82	1.5	1.5	2.0	2.0	9.60	16.60	0.00	1.00	0.00	0.00	0.00
TERRAZZO FINISHER	All	BLD		34.27		1.5	1.5	2.0	2.0	9.60	12.70	0.00	0.55	0.00	0.00	0.00
TERRAZZO MASON	All	BLD		35.83		1.5	1.5	2.0	2.0	9.60	12.70	0.00	0.55	0.00	0.00	0.00
TILE MASON	All	BLD		35.83		1.5	1.5	2.0	2.0	9.60	12.70	0.00	0.55	0.00	0.00	0.00
TRUCK DRIVER	All	ALL	1	42.25	46.61	1.5	1.5	2.0	2.0	15.39	7.73	0.00	0.25	0.00	0.00	0.00
TRUCK DRIVER	All	ALL	2	42.83	46.61	1.5	1.5	2.0	2.0	15.39	7.73	0.00	0.25	0.00	0.00	0.00
TRUCK DRIVER	All	ALL	3	43.15	46.61	1.5	1.5	2.0	2.0	15.39	7.73	0.00	0.25	0.00	0.00	0.00
TRUCK DRIVER	All	ALL	4	43.50	46.61	1.5	1.5	2.0	2.0	15.39	7.73	0.00	0.25	0.00	0.00	0.00
TRUCK DRIVER	All	ALL	5	44.61	46.61	1.5	1.5	2.0	2.0	15.39	7.73	0.00	0.25	0.00	0.00	0.00
TRUCK DRIVER	All	O&C	1	33.80	37.26	1.5	1.5	2.0	2.0	15.39	7.73	0.00	0.25	0.00	0.00	0.00

Menard County Prevailing Wage Rates posted on 5/20/2024

TRUCK DRIVER	All	O&C	2	34.26	37.26	1.5	1.5	2.0	2.0	15.39	7.73	0.00	0.25	0.00	0.00	0.00
TRUCK DRIVER	All	O&C	3	34.52	37.26	1.5	1.5	2.0	2.0	15.39	7.73	0.00	0.25	0.00	0.00	0.00
TRUCK DRIVER	All	O&C	4	34.80	37.26	1.5	1.5	2.0	2.0	15.39	7.73	0.00	0.25	0.00	0.00	0.00
TRUCK DRIVER	All	O&C	5	35.69	37.26	1.5	1.5	2.0	2.0	15.39	7.73	0.00	0.25	0.00	0.00	0.00
TUCK POINTER	All	BLD		36.62	38.82	1.5	1.5	2.0	2.0	9.60	16.60	0.00	1.00	0.00	0.00	0.00

Legend

Rg Region

Type Trade Type - All,Highway,Building,Floating,Oil & Chip,Rivers

C Class

Base Base Wage Rate

OT M-F Unless otherwise noted, OT pay is required for any hour greater than 8 worked each day, Mon through Fri. The number listed is the multiple of the base wage.

OT Sa Overtime pay required for every hour worked on Saturdays

OT Su Overtime pay required for every hour worked on Sundays

OT Hol Overtime pay required for every hour worked on Holidays

H/W Health/Welfare benefit

Vac Vacation

Trng Training

Other Ins Employer hourly cost for any other type(s) of insurance provided for benefit of worker.

Explanations MENARD COUNTY

The following list is considered as those days for which holiday rates of wages for work performed apply: New Years Day, Memorial Day, Fourth of July, Labor Day, Thanksgiving Day, Christmas Day and Veterans Day in some classifications/counties. Generally, any of these holidays which fall on a Sunday is celebrated on the following Monday. This then makes work performed on that Monday payable at the appropriate overtime rate for holiday pay. Common practice in a given local may alter certain days of celebration. If in doubt, please check with IDOL.

Oil and chip resealing (O&C) means the application of road oils and liquid asphalt to coat an existing road surface, followed by application of aggregate chips or gravel to coated surface, and subsequent rolling of material to seal the surface.

EXPLANATION OF CLASSES

ASBESTOS - GENERAL - removal of asbestos material/mold and hazardous materials from any place in a building, including mechanical systems where those mechanical systems are to be removed. This includes the removal of asbestos materials/mold and hazardous materials from ductwork or pipes in a building when the building is to be demolished at the time or at some close future date.